

**SEAWATER PUMPS CP SERIES**



*Stainless steel and bronze construction with nylon pump housing and impeller. All models operate submerged or open air, are ignition protected and have thermally protected, oil cooled motors. Shipped with 6' wire harness and corrosion proof base.*

Approved by UL, CSA, CE, ABYC and USCG

**TECHNICAL SPECIFICATIONS**

PUMP MODEL	VOLTAGE	PH	HZ *	AMPS	WATTS	WEIGHT LBS / KGS	INLET SIZE	OUTLET SIZE	REPAIR KIT **
CP-02	115	1	60	1.2	80	7 / 3.2	1/2" MPT	1/4" MPT	CP-02RK
CP-05	115		60	2.2	171	8 / 3.6	3/4" MPT	1/2" MPT	CP-05RK
CP-05C	230		50/60	1.1					
CP-10	115		60	3.3	280	10.5 / 4.8	3/4" MPT	1/2" MPT	CP-10RK
CP-10C	230		50/60	1.7					
CP-25	115		60	3.9	470	16.3 / 7.4	1" FPT	1" MPT	CP-25RK
CP-25C	230		50/60	2.0					

C Pumps operated on 50 Hz will experience a 17% decrease in flow rate and a 31% decrease in total head

\*\* Pump repair kit includes: Volute, O-ring and Stainless Steel Screws

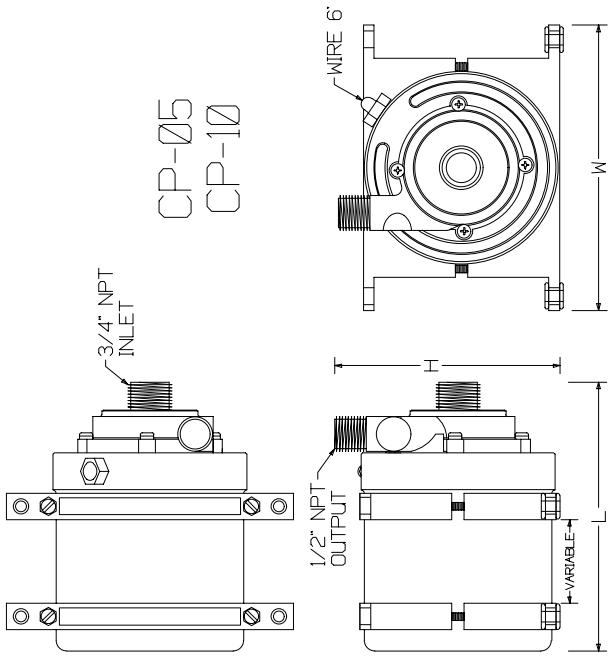
**PUMP PERFORMANCE**

PUMP MODEL	TOTAL HEAD in FEET and METERS								
	1' 0.3m	3' 1m	5' 1.5m	7' 2.1m	10' 3.1m	12' 3.7m	15' 4.6m	18' 5.5m	20' 6.1m
CP-02	320 1,211	325 1,230	300 1,136	282 1,067	240 909	195 738	112 424	-	-
CP-05	900 3,407	800 3,028	770 2,915	670 2,536	550 2,082	440 1,666	200 757	-	-
CP-10	-	1,000 3,785	950 3,596	860 3,255	790 2,991	730 2,763	580 2,196	350 1,325	150 568
CP-25	-	2,436 9,220	2,370 8,970	2,100 7,948	1,870 7,077	1,700 6,434	1,570 5,942	960 3,634	610 2,309

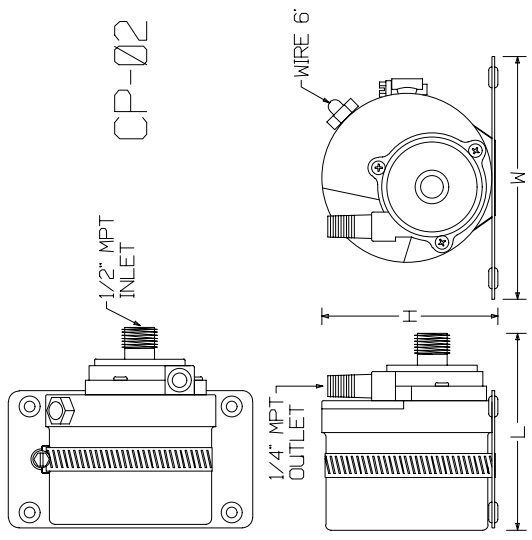
FLOW IN GALLONS / HOUR ( GPH ) and LITERS / HOUR ( LPH ) @ 60 Hz

I:\wordpft\80990-25.wpd

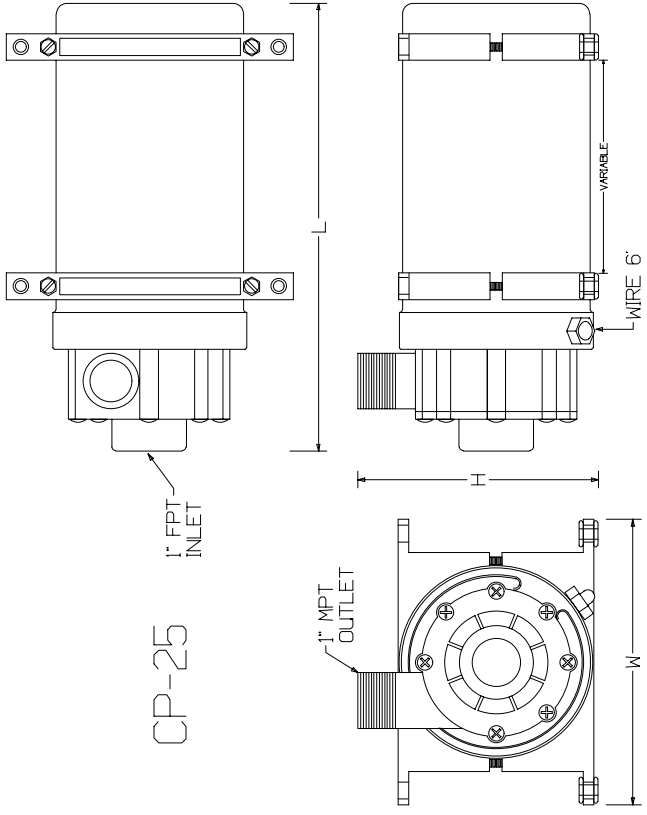
**AQUA-AIR MANUFACTURING, division of the James D. Nall Co., Inc.**  
1050 East 9th Street, Hialeah, Florida 33010 U.S.A.  
Ph. 305-884-8363 Fax 305-883-8549 Email sales@aquair.com



CP-05  
CP-10



CP-02



CP-25

PUMP	DIMENSIONS		
	L	W	H
CP-02	4.7"	5.8"	4.2"
	120mm	146mm	107mm
CP-05, 10	6.4"	6.8"	5.3"
	162mm	172mm	135mm
CP-25	10.6"	6.8"	5.7"
	269mm	172mm	145mm

J:\GCD\CPPUMP.GCD  
J:\DXF\80990-25.DXF