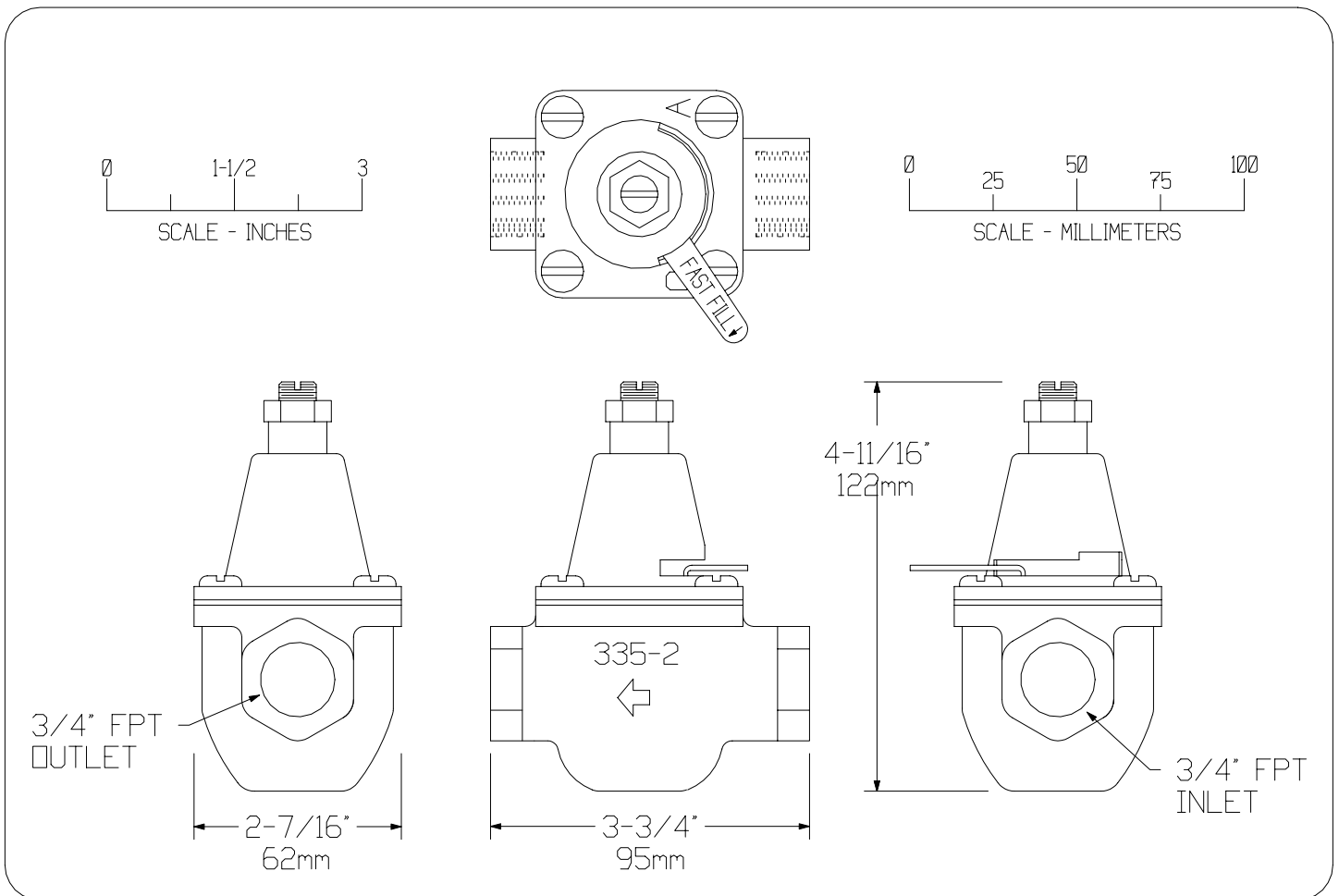


**PRV-335 PRESSURE REDUCING VALVE**

The PRV-335 pressure reducing valve reduces the ships' fresh water system pressure to the desired system pressure. It also automatically feeds water to the system when the system pressure drops below the appropriate setting. It is installed in the fresh water makeup line between the fresh water inlet and the expansion tank.



MAXIMUM WORKING PRESSURE: 100 PSIG  
 FACTORY OUTLET PRESSURE SETTING: 12 PSIG  
 OUTLET PRESSURE SETTING RANGE: 5-25 PSIG  
 MAXIMUM WORKING TEMPERATURE: 212 F / 100 C  
 WEIGHT: 3.5 LBS / 1.6 KG

AQUA AIR MANUFACTURING, div of the JAMES D. NALL CO., INC.  
 1050 E. 9th STREET, HIALEAH, FLORIDA 33010 U.S.A.  
 PH. 305-884-8363 FAX. 305-883-8549