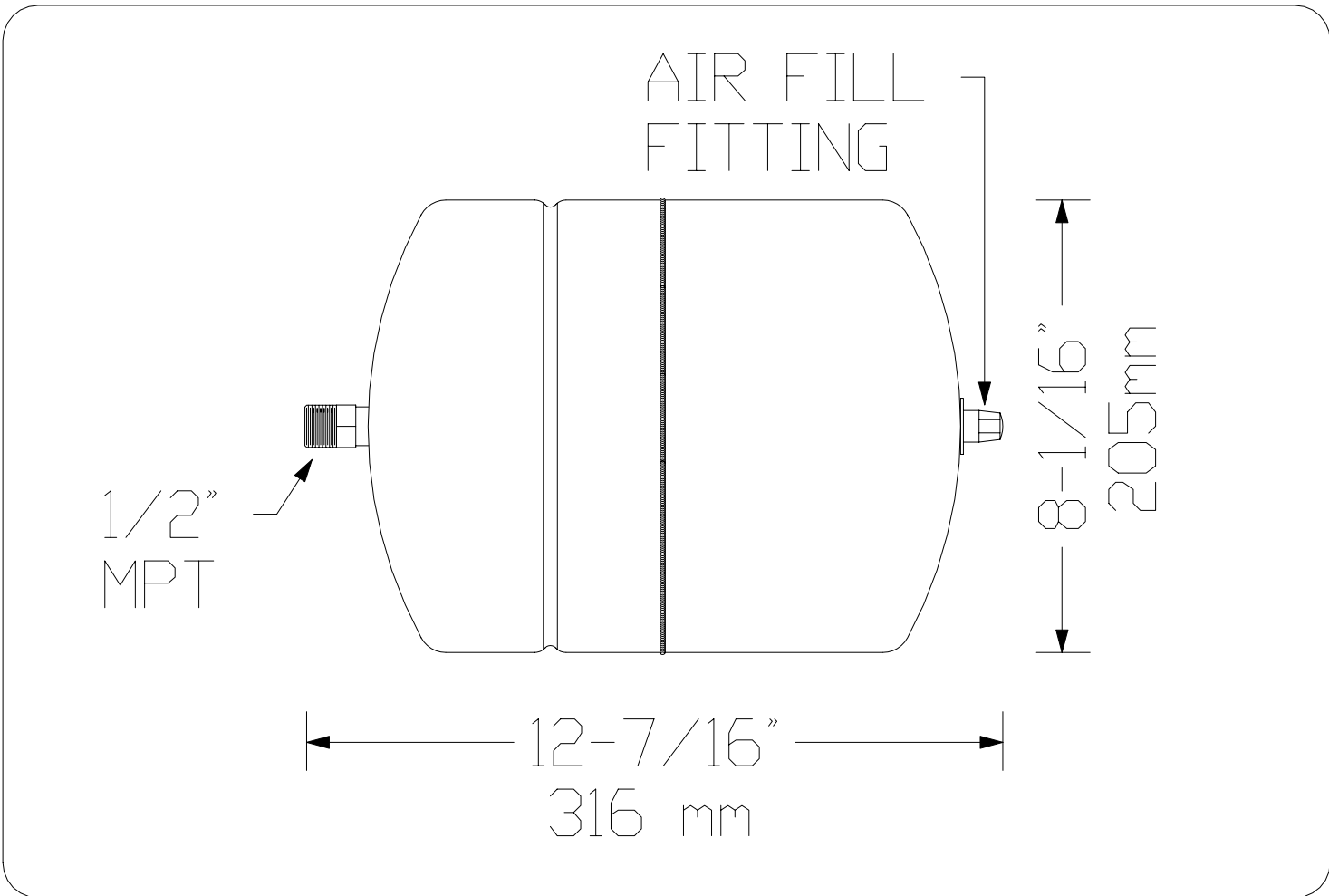




# EXT-442 EXPANSION TANK

The EXT-442 Expansion Tank allows for the expansion and contraction of water in a closed loop chillwater system. When water is heated in a closed loop system a provision must be made for expansion. The flexible diaphragm in the center of the expansion tank provides a barrier between the expanded water and the factory precharge of air. As the expanded water enters the tank the diaphragm exerts pressure on the precharged air, compressing it and increasing the tank pressure. The expanded water reenters the system when the system temperature decreases; thus, maintaining system pressure within defined limits.



MAXIMUM WORKING PRESSURE: 100 PSIG  
FACTORY PRE-CHARGE PRESSURE SETTING: 12 PSIG  
MAXIMUM WORKING TEMPERATURE: 212° F / 100° C  
WEIGHT: 5.0 LBS / 2.3 KG

AQUA AIR MANUFACTURING, div of the JAMES D. NALL CO., INC.  
1050 E. 9th STREET, HIALEAH, FLORIDA 33010 U.S.A.  
PH. 305-884-8363 FAX. 305-883-8549