

The Alpha Series Compact Chiller Module is the largest selling chiller in the megayacht industry today. Over the last decade more Alpha's have been installed in yachts than all other brands combined. Since its introduction in 1993 it has constantly evolved. Alpha's shipped today feature 308 stainless steel chassis' and fasteners, scroll compressors and Awlgrip® coatings. What has not changed is the compactness and unrivaled reliability. In recent comparisons to other brands, the Alpha was on an average 22% lighter and 38% smaller in volume. This means major weight and space savings when the units are racked. Alpha's are built in capacities from 24,000 to 72,000 BTU/H (19-60,000 BTU/H 50 Hz) and all share the same chassis dimensions. Should a vessels BTU requirements exceed 72,000 BTU/H, multiple chillers can be racked together for a larger total capacity.



Features

- ▶ Copeland Scroll compressors
- ▶ Stainless Steel chassis and fasteners
- ▶ Awlgrip® Matterhorn White finish
- ▶ Available in either Reverse Cycle or Cooling Only units
- ▶ Access ports for high and low refrigerant pressure
- ▶ High and low automatic reset refrigerant pressure switches
- ▶ 90-10 Cupronickel seawater condensers
- ▶ Stainless steel plate chiller
- ▶ Electrical box can be remote mounted
- ▶ Honeywell digital temperature controller with integral time delay
- ▶ Freeze prevention thermostat
- ▶ 3 phase units can be used with Variable Frequency Drives (VFD's)
- ▶ All units performance tested before shipping
- ▶ R-407C environmentally friendly refrigerant

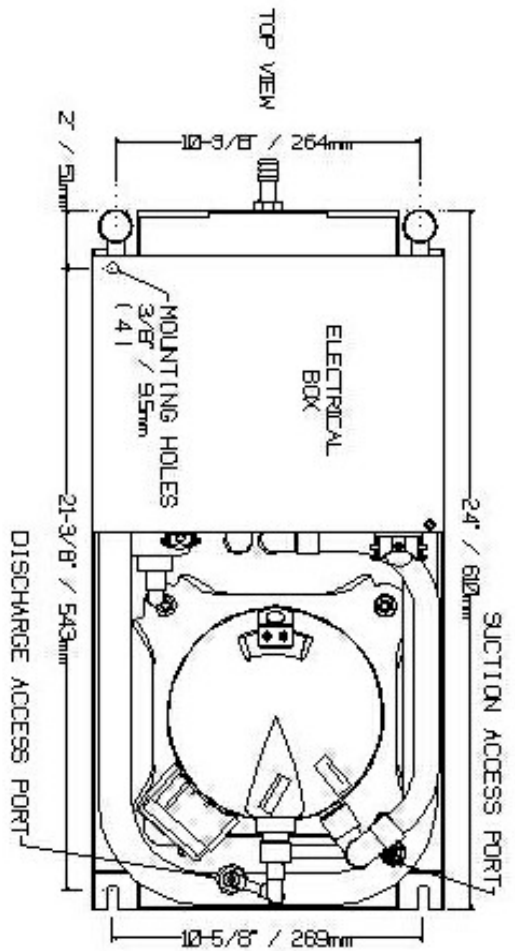
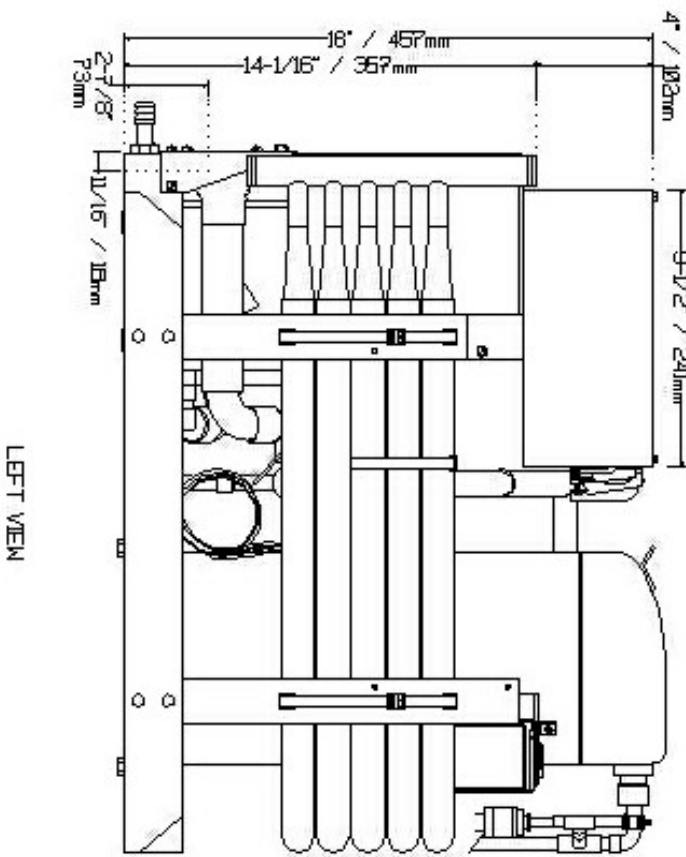
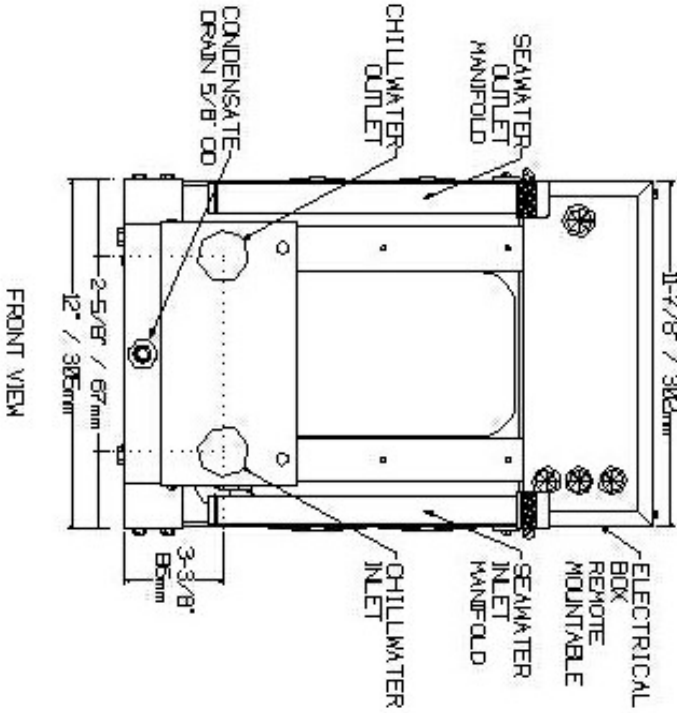
A	5	H	G	D	Model Number Nomenclature	
					C	208-230 / 1 / 60
					CK	200-220 / 1 / 50
					D	208-230 / 3 / 60
					DK	200-220 / 3 / 50
					E	440-480 / 3 / 60
					EK	380-415 / 3 / 50
					G	R-407C Refrigerant
					BLANK COOLING ONLY	
					H REVERSE CYCLE	
					CAPACITY, IN TONS, AT RATED VOLTAGE	

Physical Specifications										
MODEL	CAPACITY BTU/HR	AVAILABLE VOLTAGES	WEIGHT		CHILLWATER INLET / OUTLET	MINIMUM CHILLWATER FLOW		SEAWATER INLET / OUTLET	MINIMUM SEAWATER FLOW	
			LBS	KGS		GPM	LPM		GPM	LPM
A1.7*	19,920	200-220 / 1 / 50	140	64	½" FPT	4.0	15.3	5/8" OD	6.8	25.9
A2*	24,000	208-230 / 1 / 60 208-230 / 3 / 60 460 / 3 / 60 380-415 / 3 / 50	140	64	½" FPT	4.8	18.3	5/8" OD	8.0	31.0
A2.5*	30,000	200-220 / 1 / 50	157	71	¾" FPT	6.0	22.9	1" OD	10.0	38.1
A3*	36,000	208-230 / 1 / 60 208-230 / 3 / 60 460 / 3 / 60 380-415 / 3 / 50	157	71	¾" FPT	7.2	27.4	1" OD	12.0	45.8
A3.3*	40,000	200-220 / 1 / 50	161	73	1" FPT	7.9	30.1	1" OD	13.2	50.3
A4*	48,000	208-230 / 1 / 60 208-230 / 3 / 60 460 / 3 / 60 380-415 / 3 / 50	161	73	1" FPT	9.6	36.5	1" OD	16.0	61.0
A5*	60,000	208-230 / 1 / 60 208-230 / 3 / 60 460 / 3 / 60 380-415 / 3 / 50	161	73	1-1/4" FPT	12.0	45.6	1" OD	20.0	76.3
A6*	72,000	208-230 / 3 / 60 460 / 3 / 60	165	85	1-1/4" FPT	14.4	54.5	1" OD	24.0	90.8

* See Model Number Nomenclature chart above for additional letter codes

Performance Specifications									
MODEL	CAPACITY			POWER SUPPLY			FULL LOAD AMPS FLA	POWER INPUT W	LOCKED ROTOR AMPS LRA
	BTU/HR	KCAL/HR	TONS	VOLTAGE	PHASE	Hz			
A1.7HGCK	19,920	4,980	1.7	200-220	1	50	6.3	1158	47
A2HGC	24,000	6,000	2.0	208-230	1	60	6.4	1395	56
A2HGD	24,000	6,000	2.0	208-230	3	60	4.9	1380	45
	19,920	4,980	1.7	200-220	3	50	4.8	1145	48
A2HGE	24,000	6,000	2.0	460	3	60	2.5	1380	23
	19,920	4,980	1.7	380-415	3	50	2.4	1145	24
A2.5HGCK	30,000	7,500	2.5	200-220	1	50	10.4	1872	73
A3HGC	36,000	9,000	3.0	208-230	1	60	10.6	2255	88
A3HGD	36,000	9,000	3.0	208-230	3	60	7.6	2210	77
	30,000	7,500	2.5	200-220	3	50	7.5	1834	76
A3HGDK	36,000	9,000	3.0	200-220	3	50	9.2	2450	88
A3HGE	36,000	9,000	3.0	460	3	60	3.8	2210	39
	30,000	7,500	2.5	380-415	3	50	3.7	1834	38
A3HGEK	36,000	9,000	3.0	380-415	3	50	4.6	2450	44
A3.3HGCK	40,000	10,000	3.3	200-220	1	50	11.9	2536	107
A4HGC	48,000	12,000	4.0	208-230	1	60	14.4	3055	129
A4HGCK	48,000	12,000	4.0	200-220	1	50	15.1	3125	140
A4HGD	48,000	12,000	4.0	208-230	3	60	9.3	3005	120
	40,000	10,000	3.3	200-220	3	50	9.2	2450	88
A4HGDK	48,000	12,000	4.0	200-220	3	50	11.4	3005	115
A4HGE	48,000	12,000	4.0	460	3	60	4.7	3005	60
	40,000	10,000	3.3	380-415	3	50	4.6	2450	44
A4HGEK	48,000	12,000	4.0	380-415	3	50	5.7	3005	58
A5HGC	60,000	15,000	5.0	208-230	1	60	18.2	3765	169
A5HGD	60,000	15,000	5.0	208-230	3	60	11.6	3655	137
	50,000	12,500	4.0	200-220	3	50	11.4	3005	115
A5HGDK	60,000	15,000	5.0	200-220	3	50	14.7	3615	140
A5HGE	60,000	15,000	5.0	460	3	60	5.8	3765	85
	50,000	12,500	4.0	380-415	3	50	5.7	3005	58
A5HGEK	60,000	15,000	5.0	380-415	3	50	7.4	3615	43
A6HGD	72,000	18,000	6.0	208-230	3	60	13.2	4220	156
	60,000	14,000	4.7	200-220	3	50	13	3490	172
A6HGE	72,000	18,000	6.0	460	3	60	6.6	4220	75
	60,000	14,000	4.7	380-415	3	50	6.5	3490	74

Alpha Series Compact Chiller Dimensions



AQUA-AIR MANUFACTURING, division of the James D. Nall Co., Inc.
 1050 East 9th Street, Hialeah, Florida 33010 U.S.A.
 Ph. 305-884-8363 Fax 305-883-8549 Email sales@aquair.com
www.aquair.com