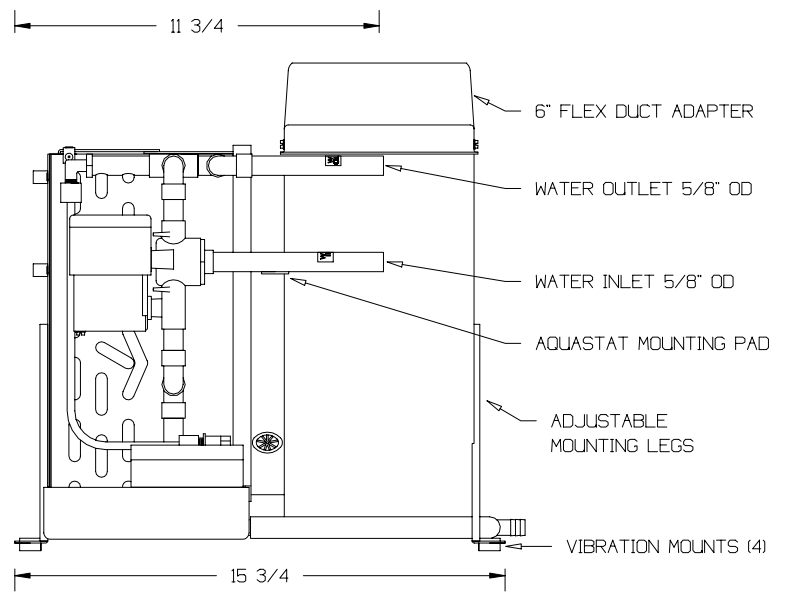
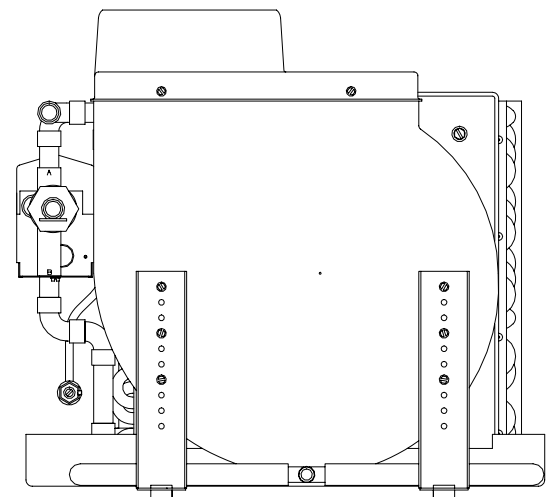




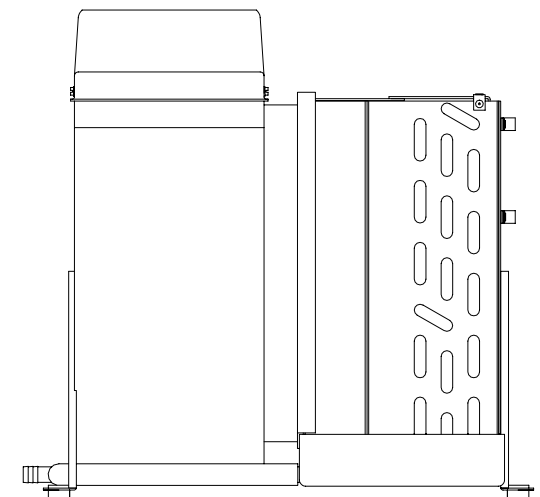
REVISION BLOCK			
REV.	DESCRIPTION	REV. BY	DATE
B	MODIFIED DRAIN PAN	LES	09-19-96



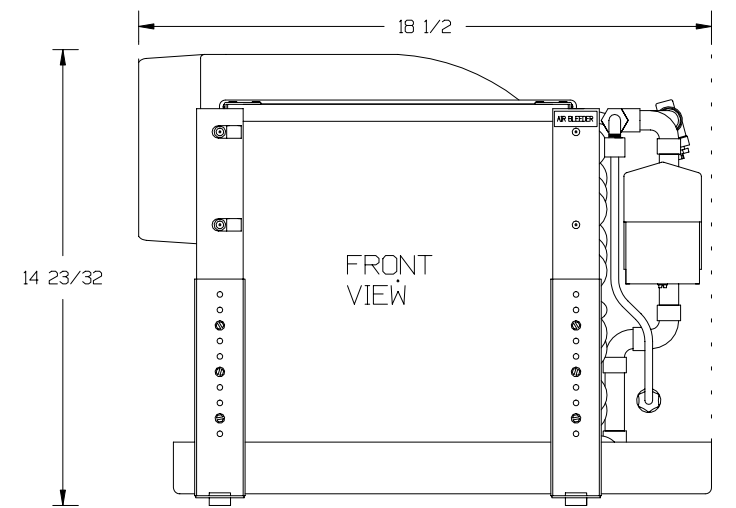
LEFT VIEW



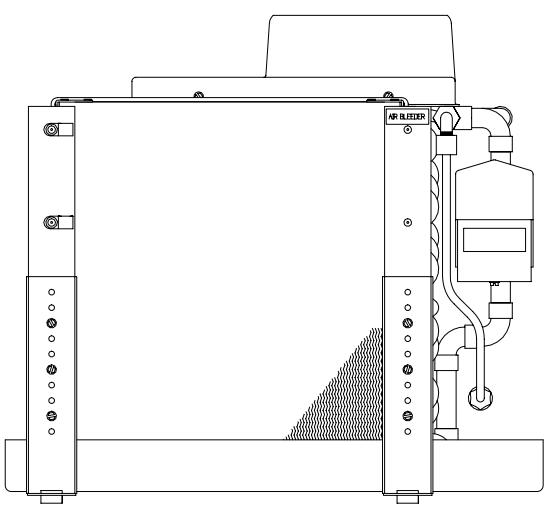
REAR VIEW



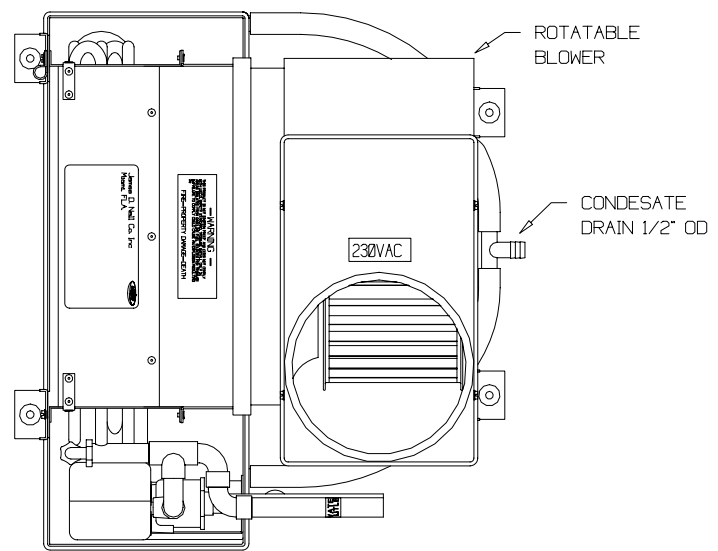
RIGHT VIEW



AQOCW-12.16 HORIZONTAL DISCHARGE BLOWER ROTATED 90°

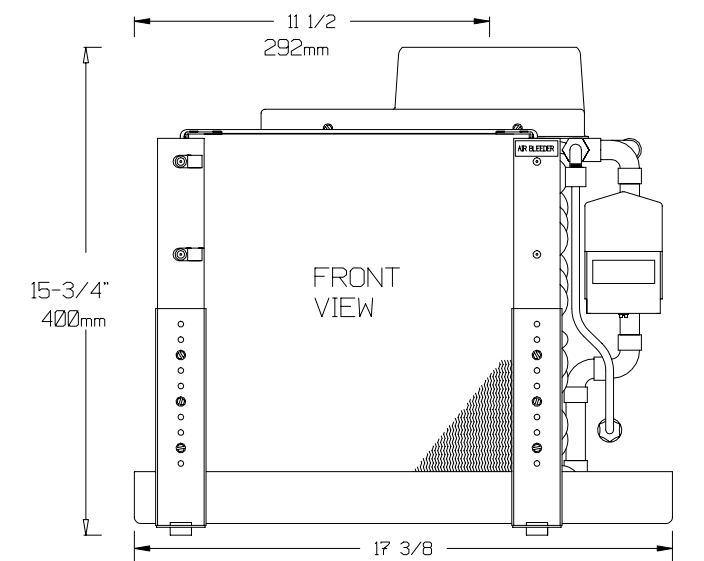


FRONT VIEW



TOP VIEW

SPECIFICATION		AQOCW-12	AQOCW-16
CAPACITY	BTU/HR KCAL/HR	12,000 3,024	16,000 4,032
AIR CAPACITY	CFM CMH	400 680	533 906
WEIGHT	LBS KGS	32 14.5	32 14.5
AMPERAGE DRAW	115V 230V	2.7 1.4	4.0 2.0
POWER CONSUMPTION		311	311
MIN. RETURN AIR SIZE	SQ.IN. SQ.MM.	120 774	144 929
MIN. SUPPLY AIR SIZE	SQ.IN. SQ.MM.	60 387	72 465



AQOCW-12.16 VERTICAL DISCHARGE

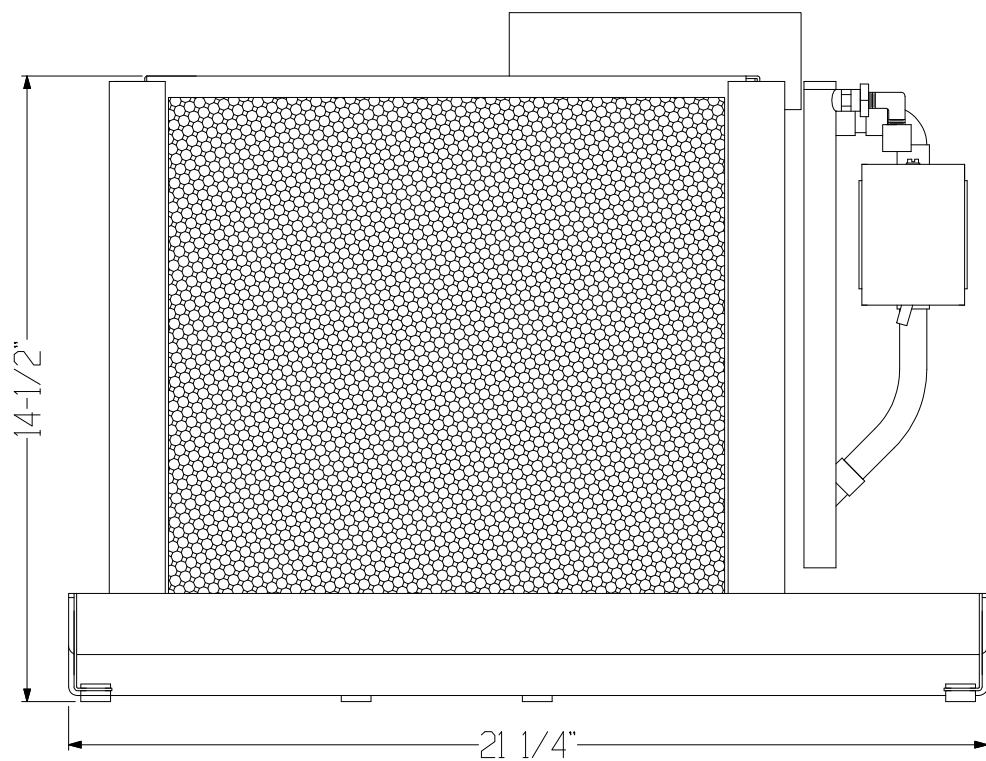


**AQUA-AIR** MARINE AIR CONDITIONING SYSTEM

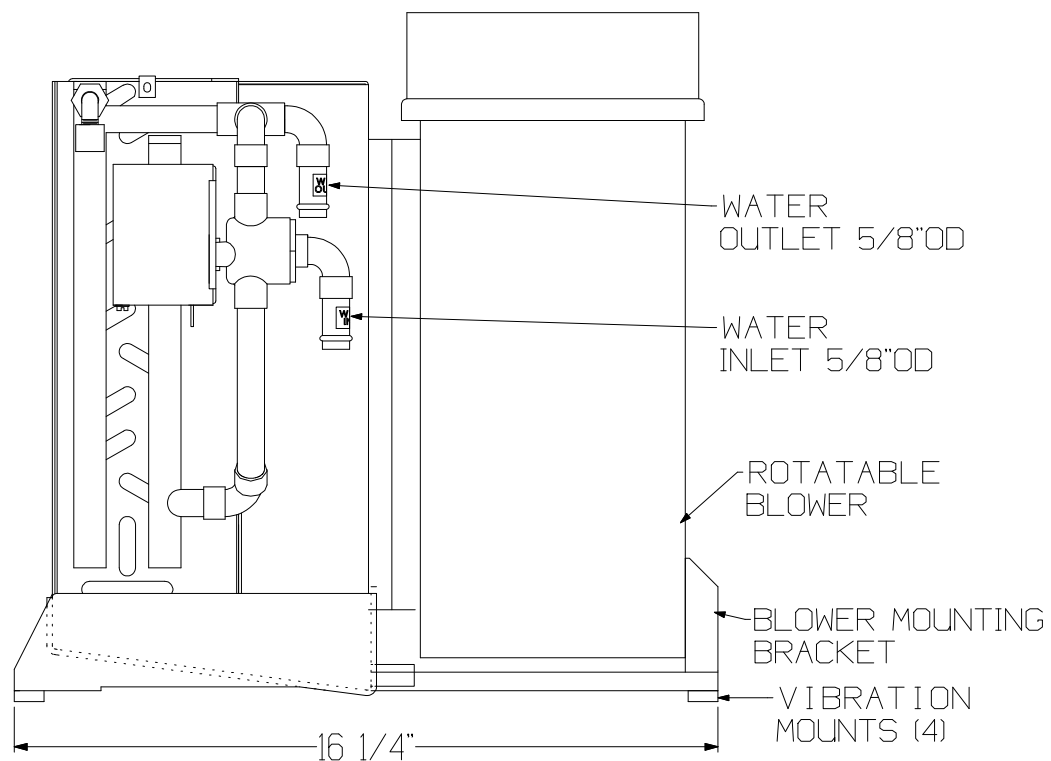
AQOCW - 12 & 16  
FAN COIL UNITS WITHOUT B. HEATER

DRAWING NUMBER	AQOCW	DRAWN BY	LES	DATE	10-04-95
SCALE	NONE	APPROVED BY		REVISION DATE	
					REV B

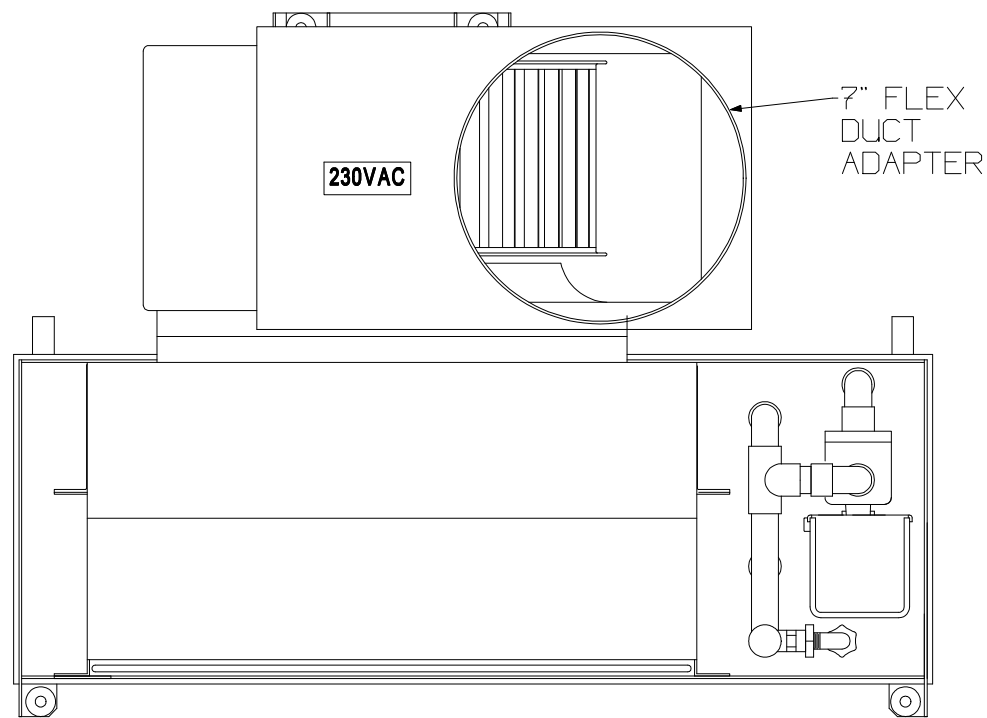
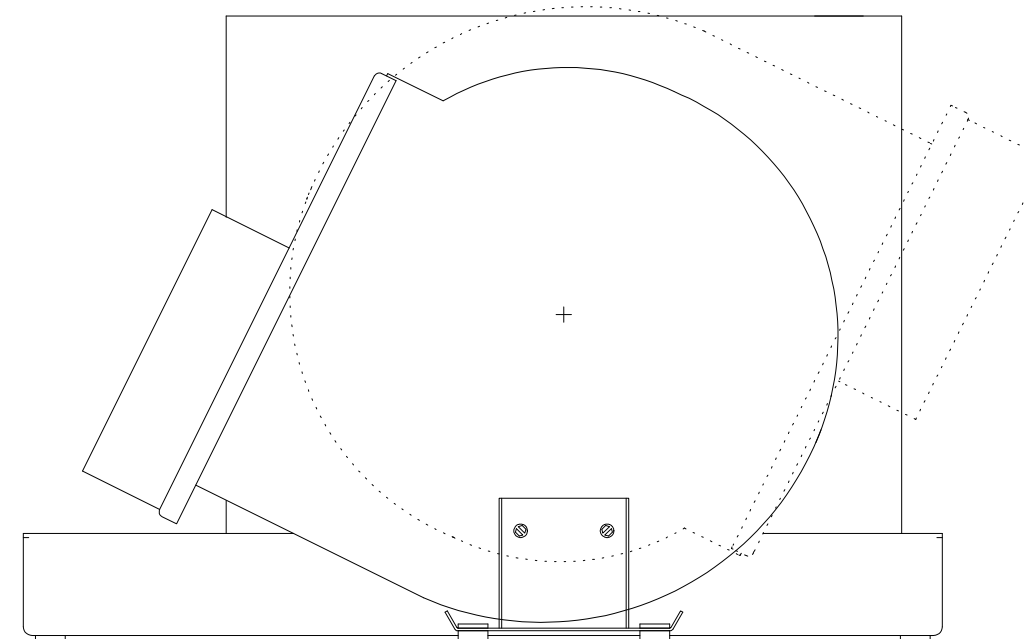
FRONT VIEW



RIGHT VIEW



REAR VIEW SHOWING LEFT AND RIGHT DISCHARGE



TOP VIEW

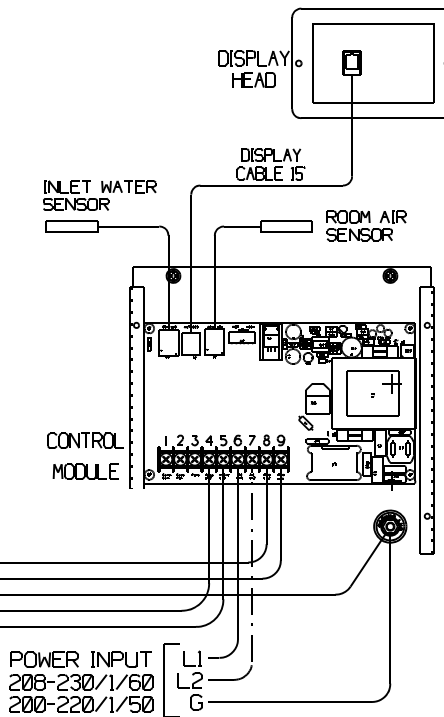
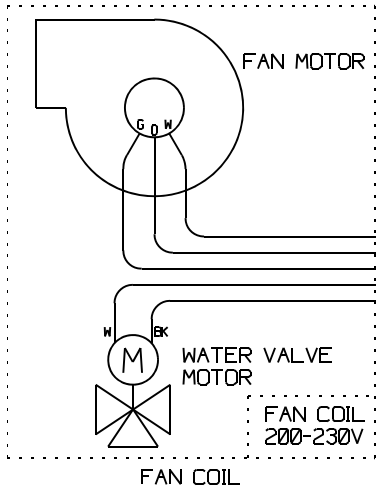
MODEL: AQOCW-18C  
 BTU/H: 18,000  
 CFM: 600  
 GPM: 4.5  
 POWER: 208/230-1-60  
 FAN AMPS: 4.0 A  
 HOSE ADAPTER: 7"  
 CHILLWATER: 5/8" OD HOSE BARB  
 DRAIN: 1/2" OD  
 RETURN AIR: 156 sq. in.  
 SUPPLY AIR: 78 sq. in.

<b>AQUA-AIR</b> MARINE AIR CONDITIONING SYSTEMS			
AQOCW-18C 18,000 BTU 600 CFM			
208/230-1-60 CHILLWATER FAN COIL			
DRAWING NUMBER	AQOCW-18	DRAWN BY	DN
		DATE	080330
SCALE	FULL	APPROVED BY	REVISION DATE
			REV A

# WIRING SCHEMATICS

## HOT WATER HEATING SYSTEM

MULTIPLE FAN COILS CAN BE CONNECTED IN PARALLEL TO THE THERMOSTAT PROVIDED THEY DO NOT EXCEED THE MAXIMUM AMPERAGE RATINGS OF THE CONTROL MODULE



MAXIMUM CIRCUIT RATINGS  
WATER VALVE 1/4A  
FAN MOTOR 12A  
HEATER 12A

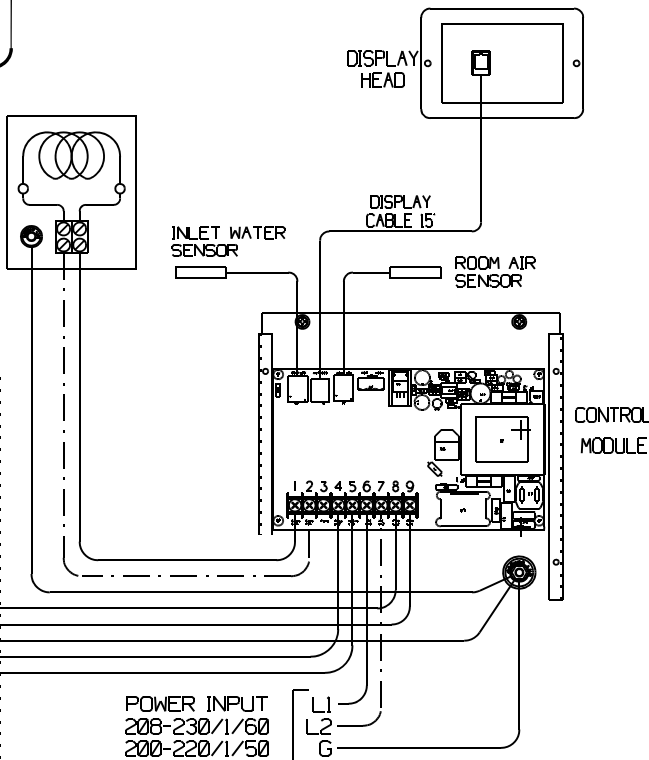
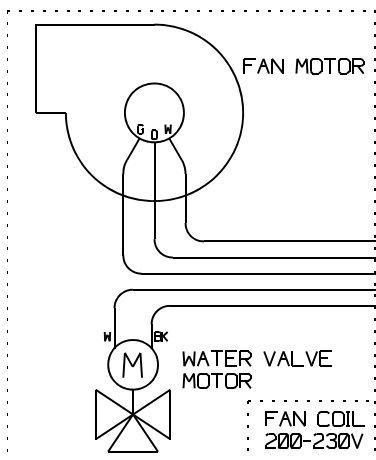
### TERMINAL BLOCK CONNECTIONS

1. HEATER ELEMENT L1
2. HEATER ELEMENT L2
3. N/A
4. WATER VALVE L2
5. WATER VALVE L1
6. POWER INPUT L1
7. POWER INPUT L2 or N
8. FAN L2
9. FAN L1

80999-SP.GXD

## ELECTRIC ELEMENT HEATING SYSTEM

DUCT HEATER (DH SERIES) or  
BLOWER HEATER (BH SERIES) or  
FAN COIL HEATER (HTS SERIES)  
200-230 / 1 / 50-60



8099P-SP.GXD