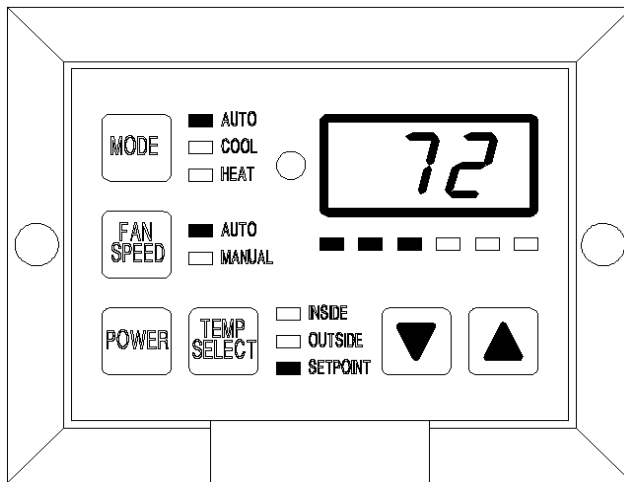


The TW2 is a microprocessor-based electronic control designed for use with AQUA-AIR direct expansion and chilled water marine air conditioning systems. TW2 is the evolution of digital electronic control in the marine industry, the culmination of years of advancements in both functions and reliability. The feature package includes both manual and programmable operations that make your marine air conditioning system work with hands-off efficiency, while at the same time monitoring its operating parameters for protection of expensive equipment. So whether you want “set it and forget it” reliability and comfort, or you want to “monitor and tweak your system,” TW2 is the controller for you.



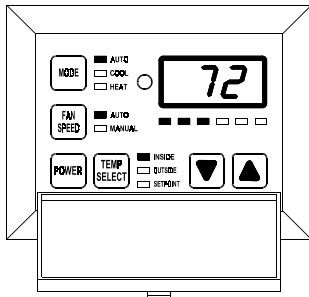
TW2 Features

- < **Continuous room temperature display with one touch set point or change**
- < **Maintains cabin temperature to within 2° of the set point**
- < **Temperature displayed in Fahrenheit or Celsius**
- < **Built-in or remote temperature sensor options**
- < **Dehumidification mode will automatically control the moisture level when the boat is unattended**
- < **Six fan speeds in both automatic and manual operation**
- < **Self test mode tests the entire system**
- < **4 level compressor fail-safe protection**
- < **De-icing cycle to prevent evaporator coil icing**
- < **Nonvolatile memory retains programmable settings without batteries**
- < **Fault codes displayed on read out**
- < **Operates on 115 or 230V, 50 or 60 Hz**

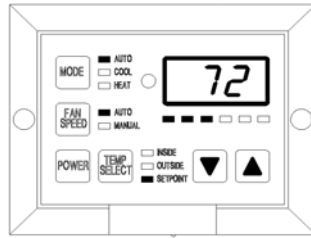
TW2 is compatible with both split system or self-contained direct expansion air conditioning systems as well as chilled water systems from AQUA-AIR. The no-nonsense display panel is simple to operate and gives you access to the entire range of manual, programmable and protection features. The display is available in black or white and can be ordered with a panel door that can be painted or treated to match surrounding decor.

Electronic microprocessor control provides distinct benefits not available on mechanical version controllers. Electronic readouts and push button operations add a contemporary look to your air conditioning system. Many of the real benefits, however, are unseen. By using sensors and electronically monitored tolerances, your TW2 control constantly evaluates critical system operating parameters such as AC line voltages and high and low refrigerant pressures. TW2 will shut down the system at the first indication of a problem and display the fault code, thus preventing damage and costly repairs. TW2 even tests its own sensors.

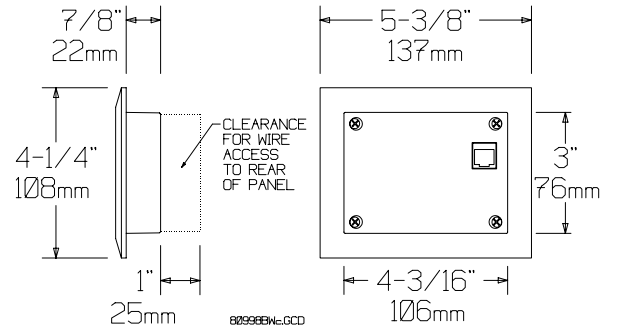
If you are considering new air conditioning for your boat, consider the benefits of TW2. If you are not in the market for an entire new system, ask your AQUA-AIR dealer about retrofitting your current system to TW2.



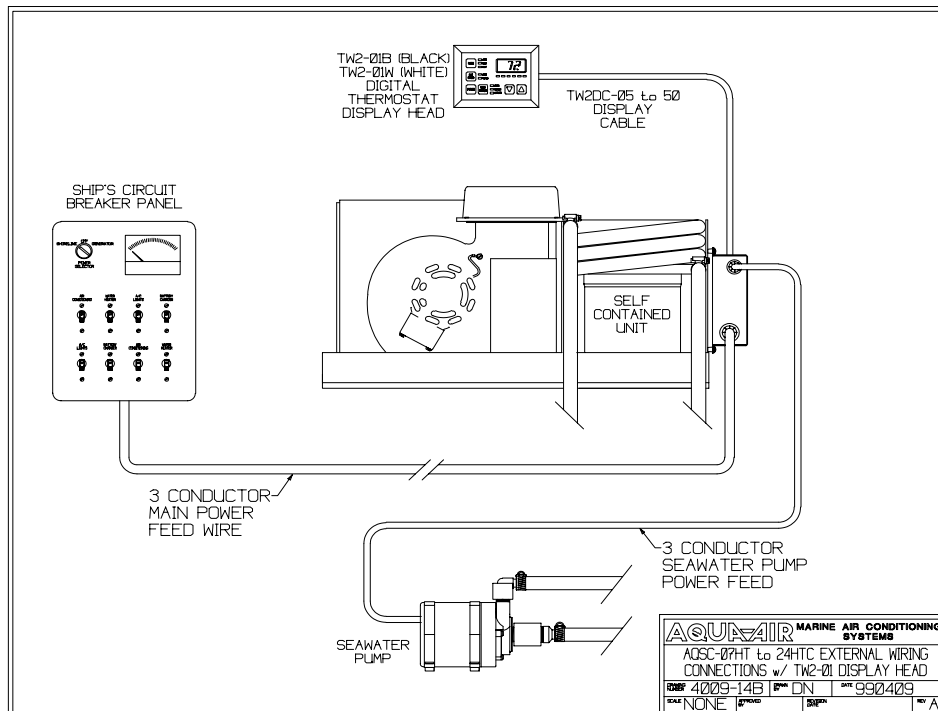
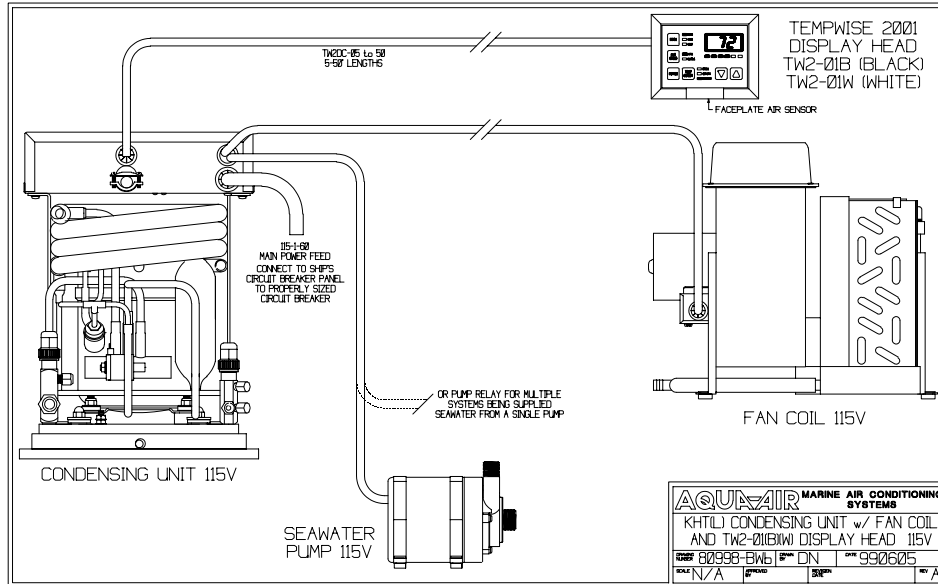
TW2-01



TW2-01B or TW2-01W



DIMENSIONS



AQUA-AIR MANUFACTURING, division of the James D. Nall Co., Inc.
1050 East 9th Street, Hialeah, Florida 33010 U.S.A.
Ph. 305-884-8363 Fax 305-883-8549 E-mail sales@aquair.com

i:\wordpft\80096.wpd