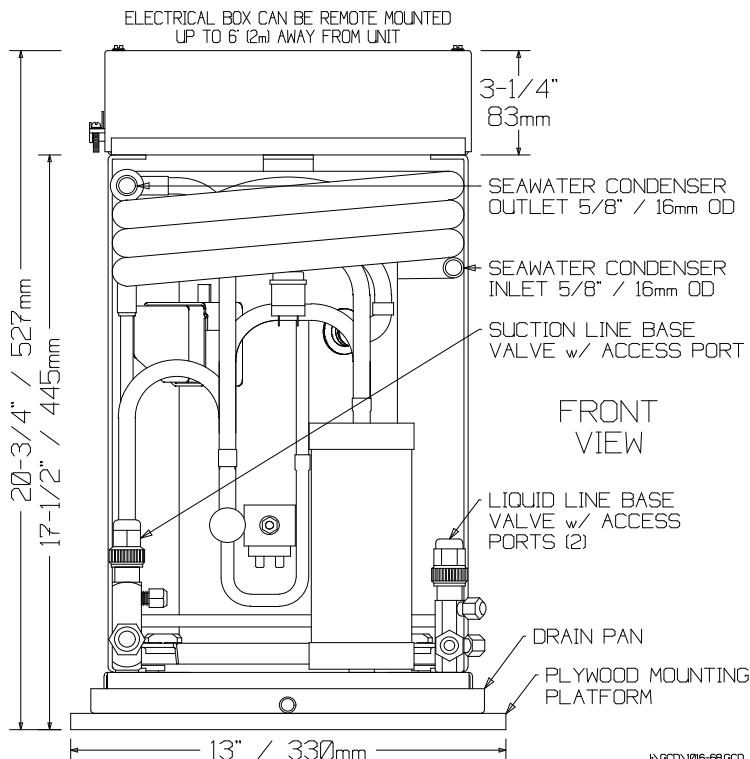
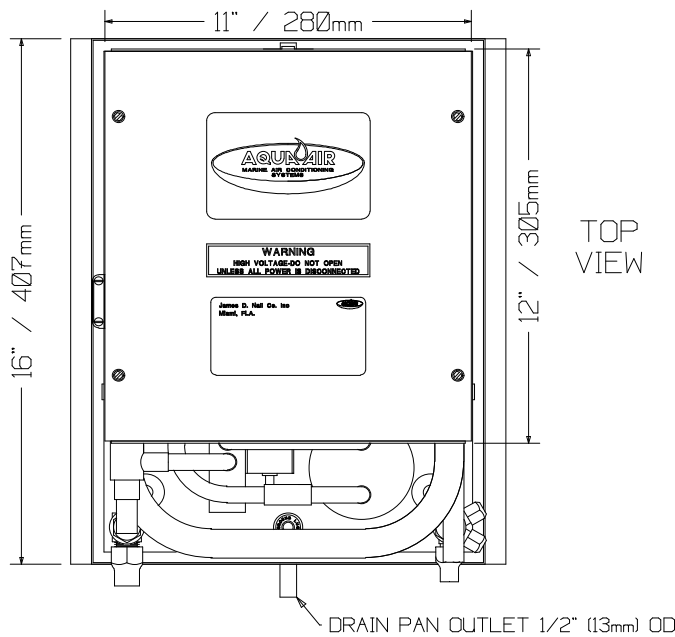


**Models**

**FHG Series** Condensing unit for use with a remote AQS3 Series Thermostat  
**FHSG Series** Condensing unit for use with a remote Sapphire Digital Display. The Sapphire P.C. board is installed in the condensing unit electrical box.

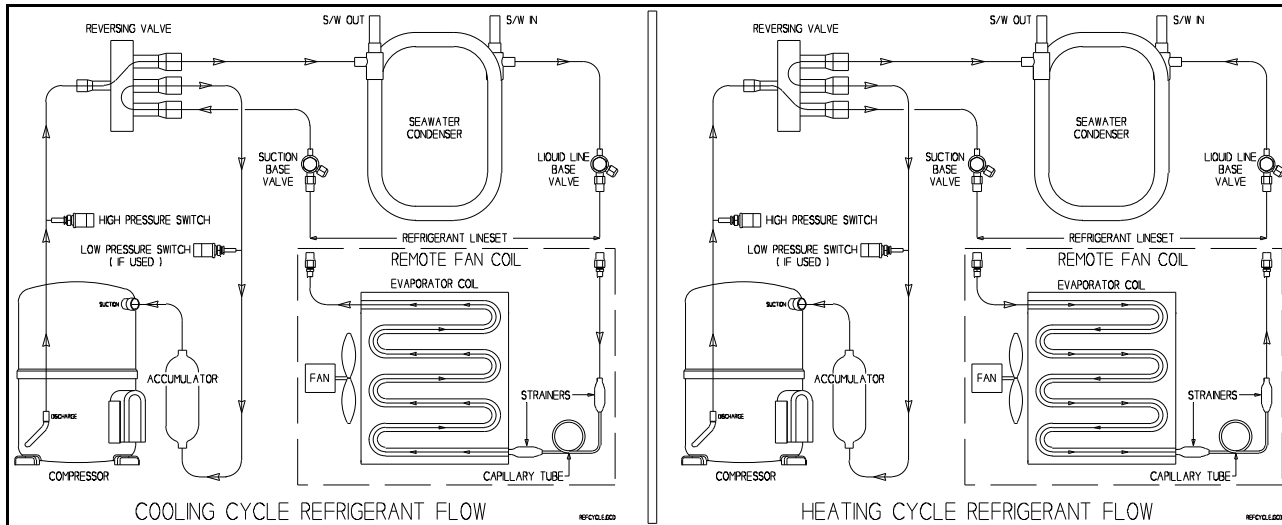
**Standard Features**



- ▶ Reverse cycle condensing unit
- ▶ Available in 208-230/1/60, 208/3/60, and 460/3/60 input models.
- ▶ Dependable and quiet Scroll compressor
- ▶ Seawater condenser constructed of copper outer jacket & 90-10 cupronickel inner tube for corrosion resistance
- ▶ Suction line accumulator for low load compressor protection
- ▶ Smaller footprint than previously available - 20% smaller than the competition
- ▶ Electric box contains the start & run capacitors, start relay and contactors.
- ▶ Electric box can be remote mounted up to 6' ( 2m ) away from the unit.
- ▶ High refrigerant pressure, automatic reset switch
- ▶ Low refrigerant pressure, automatic reset switch
- ▶ Two sets of rubber isolation mounts for vibration free operation
- ▶ Aluminum drain pan to catch any condensate formed on the unit
- ▶ Plywood mounting base for ease of installation
- ▶ Base valves with Nylon stem caps and brass caps over the charging & access ports
- ▶ Can be used in environments up to 140° F ( 60° C )
- ▶ White enamel finish
- ▶ R-407C Refrigerant

## Technical Specifications

Model		FH*G- 20C	FH*G- 24C	FH*G- 24D	FH*G-24E
Capacity	BTU/H KCAL/H	20,000 5,040		24,000 6,048	
Length	in/mm	16" / 407mm			
Width	in/mm	13" / 330mm			
Height	in/mm	20-3/4" / 527mm			
	with electrical box without electrical box	17-1/2" / 445mm			
Weight	Lbs Kgs	123 56			
Voltage / Phase / Frequency		208-230/1/60	208-230/1/60	208/3/60	460/3/60
Amps		7.7	9.3	4.9	2.5
Watts		1680	2346	1360	1360
Suction Service Valve Connection		1/2" male 45° flare			
Discharge Service Valve Connection		3/8" male 45° flare			
Seawater Connections, Inlet and Outlet	in/mm	5/8" / 16mm OD			
Drain connection	in/mm	1/2" / 13mm OD			



I:\wordpfct\80072-SG.wpd

**AQUA-AIR MANUFACTURING, division of the James D. Nall Co., Inc.**  
 1050 East 9th Street, Hialeah, Florida 33010 U.S.A.  
 Ph. 305-884-8363 Fax 305-883-8549 Email [sales@aquair.com](mailto:sales@aquair.com)