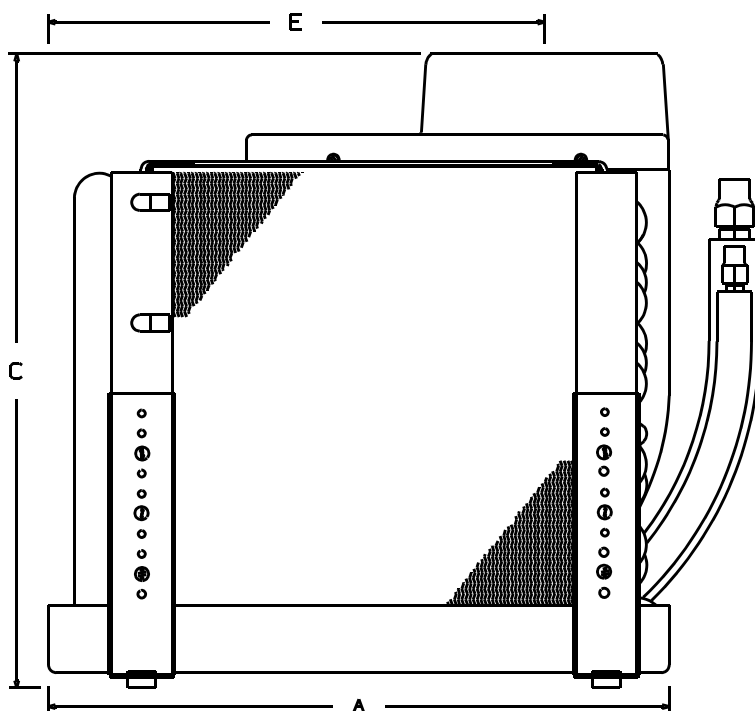
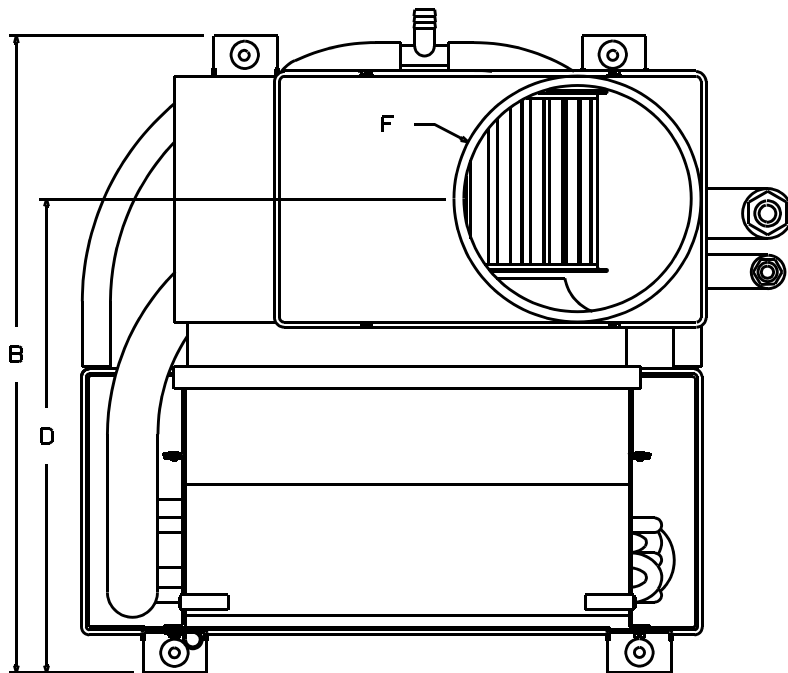


Standard Features

- < Fan coil units in 12-16,000 BTU/H (3,024-4,032 KCAL/H) sizes.
- < Available in 115-1-50/60 input or 230-1-50/60 input models.
- < Can be used with either cooling only or reverse cycle (heating/cooling) systems
- < Rotatable blower for ease of ducting



- < High capacity squirrel cage blower is designed for quiet operation with flexible duct systems
- < Standard flexible duct connector is installed standard on the blower discharge. This connector also directly adapts to the Aqua-Air AT series adapter duct tees.
- < Dual condensate drain outlets on the drain pan are factory connected into a common 1/2" hose barb tee for ease of installation.
- < Antifungal, antislush foam media is installed in the internally corrosion resistant coated drain pan.
- < All external condensate producing surfaces are covered with 1/8" thick foam insulation.
- < Vertically adjustable mounting legs with rubber vibration pads and mounting screws.
- < Refrigerant line connections are 18" long. Flare fittings with flare nuts are provided.
- < Removable lint screen installed on the front of the coil.
- < A plastic clamp is installed on the face of the unit for mounting the thermostat sensor.
- < Designed for use with either the K(H) Series or AQF(H) Series condensing units.
- < Can be used with either a three knob manual control (AQS1 or AQS3 Series) or the Tempwise 2001 digital thermostat.
- < Ideal for mounting low in the bottom of closets or under seats or bunks.

Technical Specifications			
Model		AQOC-12	AQOC-16
Cooling Capacity	BTU/H	12,000	16,000
	KCAL/H	3,024	4,032
	TONS	1.00	1.33
Air Flow	CFM	400	533
	m³/HR	679	904
Weight	LBS.	28 / 62	
	KGS.		
Width	A	IN / MM	
		15-3/8" / 391	
Length	B	IN / MM	
		15-7/8" / 403	
Height	C	IN / MM	
		15-3/4" / 400	
Air Discharge Center Line	D	IN / MM	
		11-3/4" / 298	
	E	IN / MM	
		12-1/4" / 311	
Hose Adapter Diameter	F	IN / MM	
		6" / 152	
Amperage Draw	115v	2.7	4.0
	230v	1.4	2.0
Power	Watts	311	460
Minimum Return Air Grille Size	IN²	120	144
	CM²	775	930
Minimum Supply Air Grille Size	IN²	60	72
	CM²	387	465
Flare Connection Size	Suction	3/8"	1/2"
	Liquid	1/4"	1/4"

Add 'C' to the end of the model number for a 230 volt unit. Example: AQO-12C

I:\wordpfct\80050.wpd

AQUA-AIR MANUFACTURING, division of the James D. Nall Co., Inc.
1050 East 9th Street, Hialeah, Florida 33010 U.S.A.
Ph. 305-884-8363 Fax 305-883-8549 Email sales@aquair.com