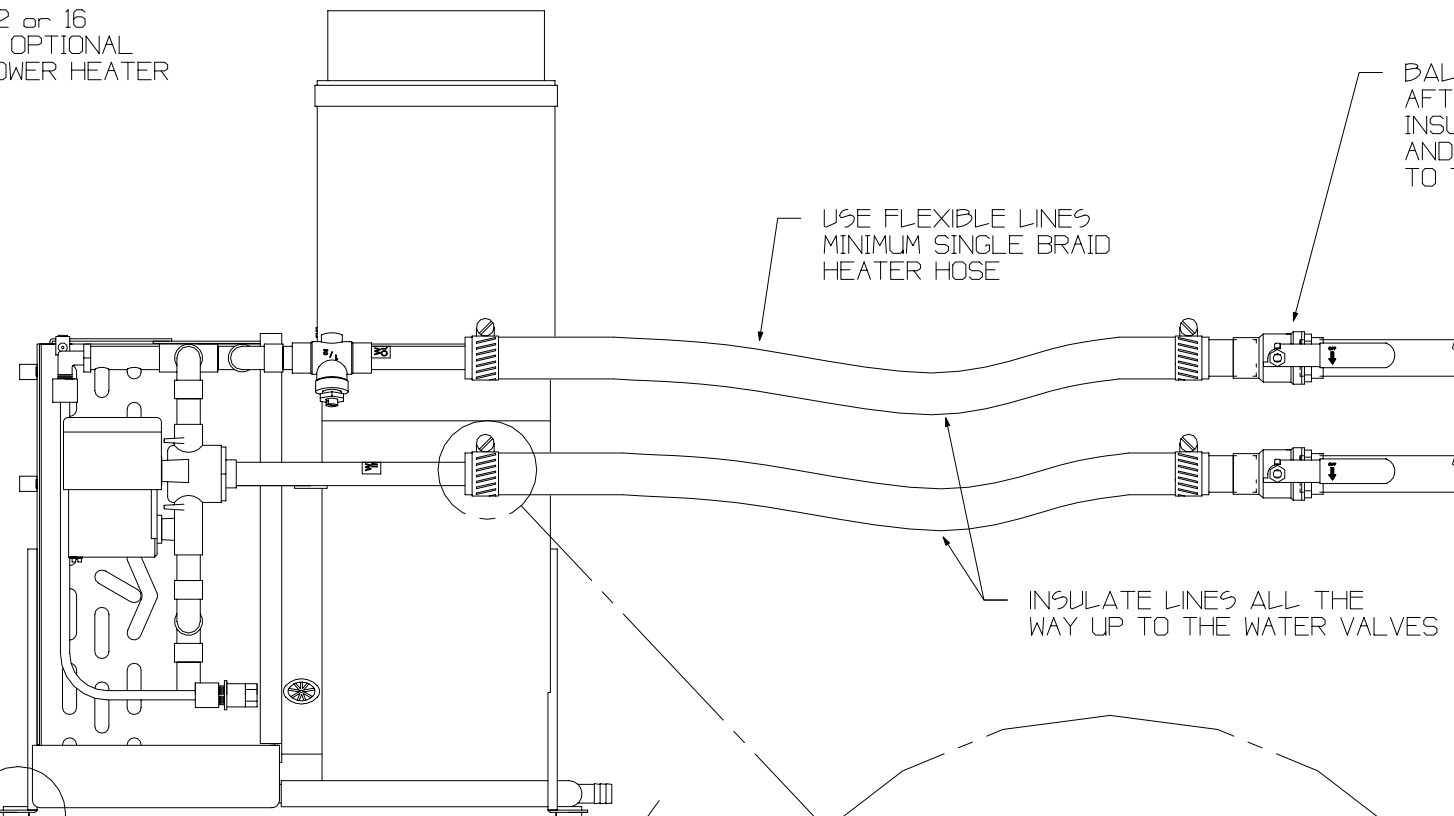
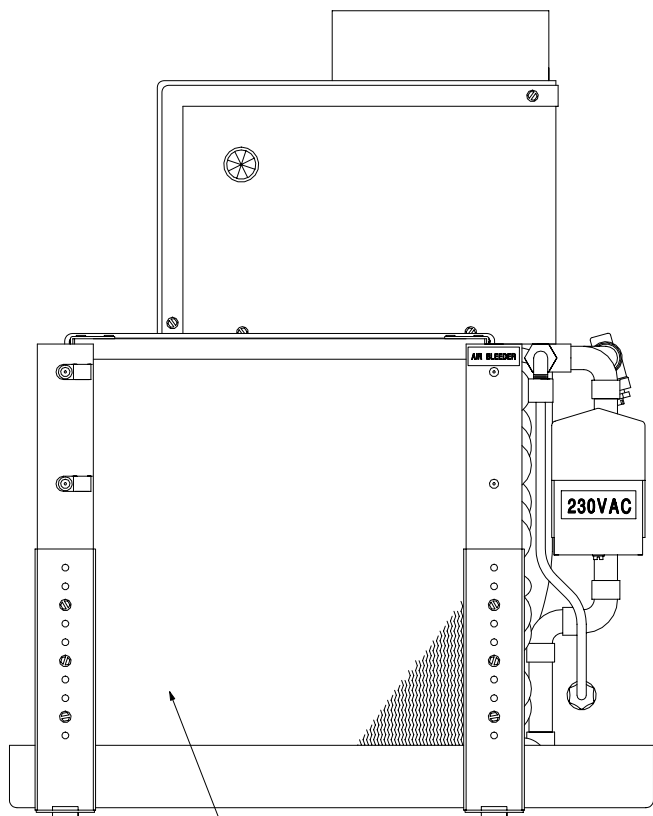


AQOCW-12 or 16
SHOWN WITH OPTIONAL
BH SERIES BLOWER HEATER



BALL VALVES (2)
AFTER COMMISSIONING REMOVE HANDLES
INSULATE OVER THE TOP OF THE VALVES
AND THEN TIE-WRAP THE HANDLES NEARBY
TO THE VALVES.

USE FLEXIBLE LINES
MINIMUM SINGLE BRAID
HEATER HOSE

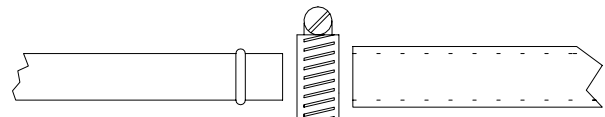
TO CHILLED
WATER LOOP

INSULATE LINES ALL THE
WAY UP TO THE WATER VALVES

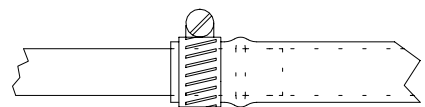
REMOVE WIRE MESH SCREEN
PRIOR TO COMMISSIONING

SLIDE HOSE CLAMP AND HOSE
OVER BEADED AREA
HOSE SHOULD EXTEND UP
TO 1" PAST BEADED AREA.

STEP 1



STEP 2



TIGHTEN HOSE CLAMP
PAST BEADED AREA.

HOSE CONNECTION DETAIL

SCREW
(218631-00)

WASHER
(224600-51)

SPACER
(220108-00)

RUBBER
MOUNT
(220206-00)

FCRMK-AQOCW:
FAN COIL RUBBER MOUNTING KIT:
218631-00 (4)
224600-51 (4)
220108-00 (4)
220206-00 (4)

MOUNTING FOOT DETAIL

AQUAAIR MARINE AIR CONDITIONING SYSTEMS			
AQOCW FAN COIL INSTALLATION INFORMATION			
DRAWING NUMBER	1015-45A	DRAWN BY	DN
SCALE	NONE	APPROVED BY	REVISION DATE
			DATE 5-15-97
			REV A