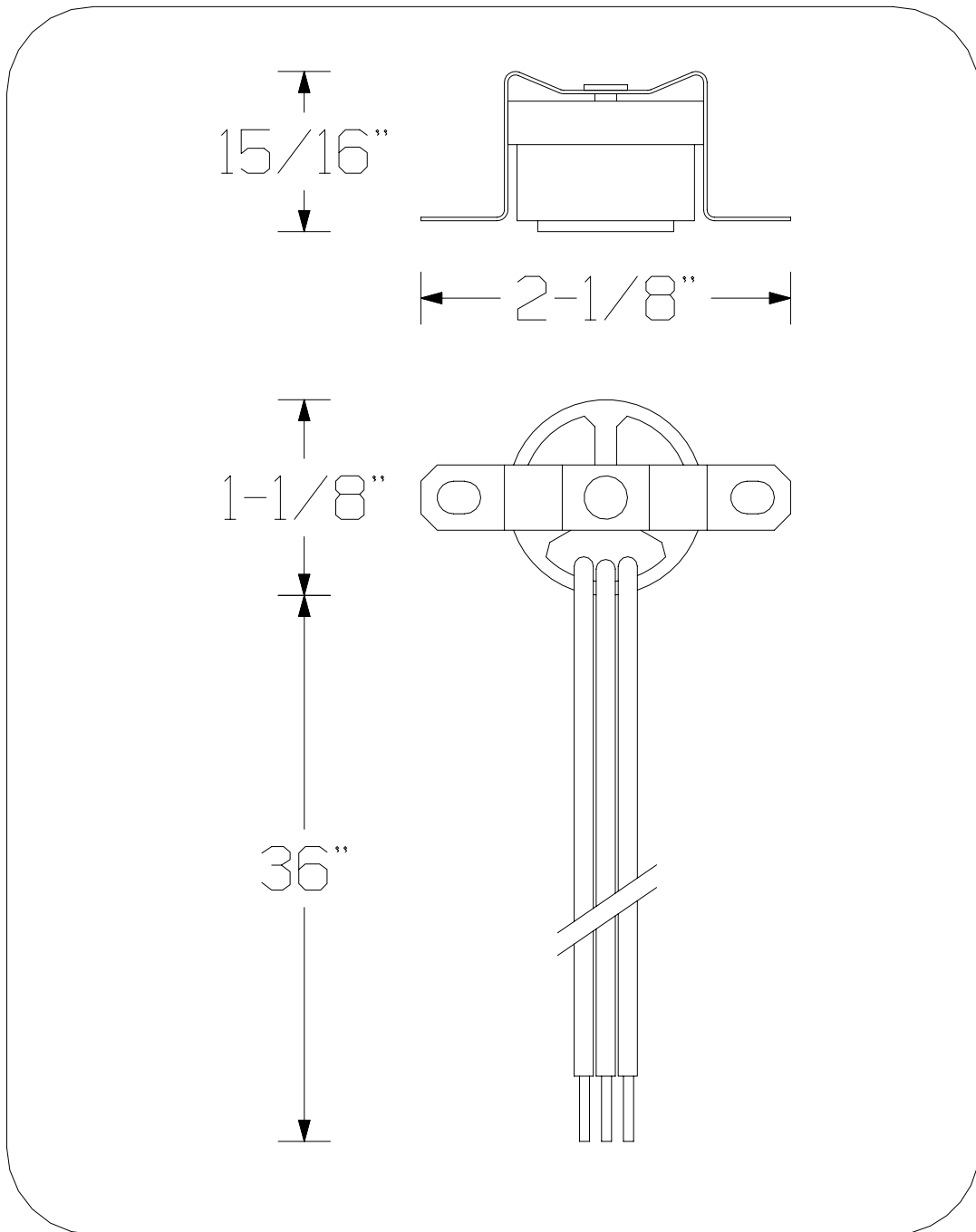


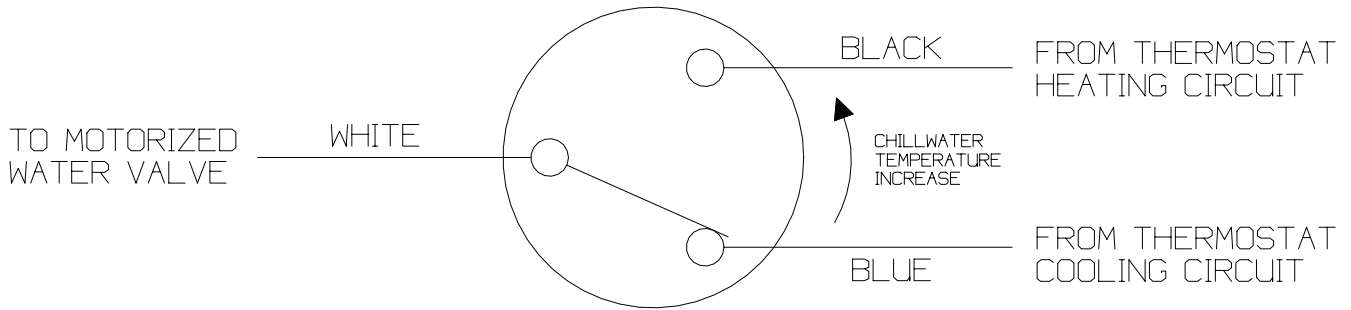


# AQL6076B AQUASTAT

The AQL6076B Aquastat is an encapsulated SPDT changeover switch that senses whether hot or cold water is passing through the chillwater line to which it is attached. The Aquastat's only function is to electrically "lock-out" the motorized water valve on the fan coil if the room thermostat is calling for heating and there is cold water going through the chillwater lines. Aquastats are only necessary on systems utilizing hot water heat. The Aquastat is always attached to the water inlet of the motorized water valve.

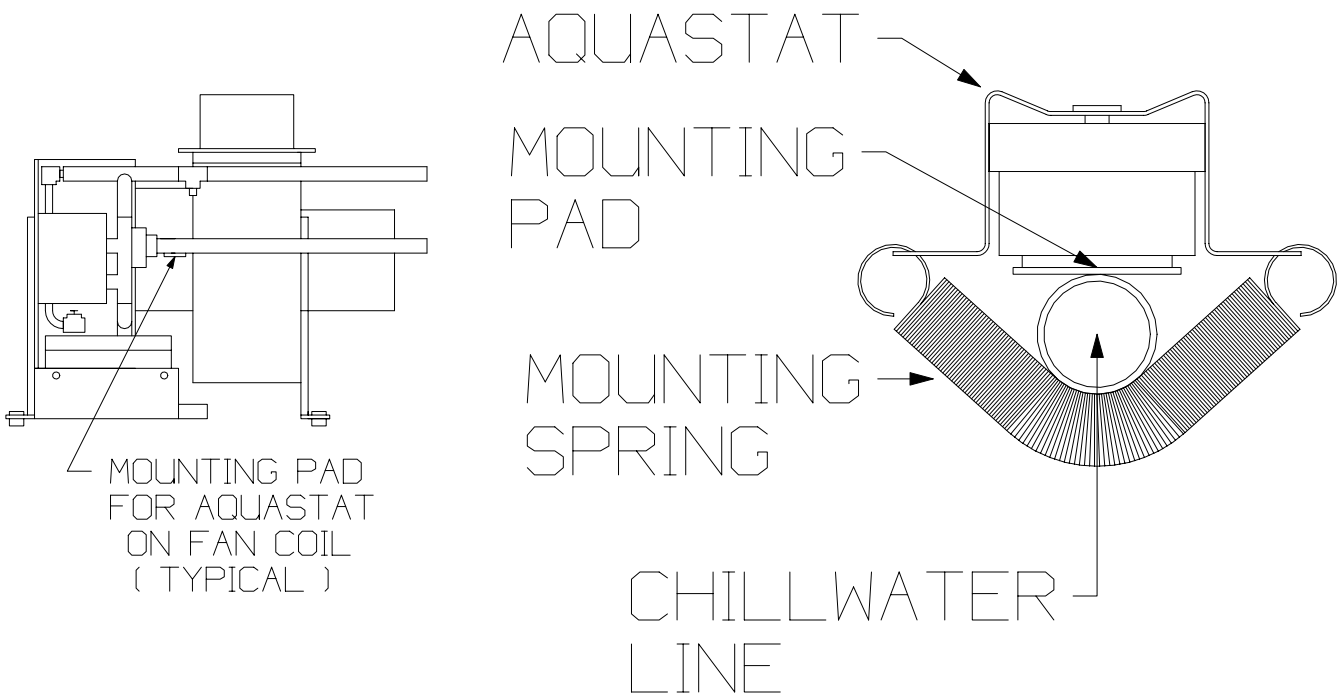


# AQL6076B INTERNAL CIRCUITRY



HEATING MODE: WHITE TO BLACK CIRCUIT IS CLOSED WHEN THE TEMPERATURE IS ABOVE 88° F  
COOLING MODE: WHITE TO BLUE CIRCUIT IS CLOSED WHEN THE TEMPERATURE IS BELOW 60° F.

# AQL6076B INSTALLED



AQUA-AIR MANUFACTURING, div. of the James D. Nall Co., Inc  
1050 E. 9th Street, Hialeah, FL 33010 USA  
Phone 305-884-8363 Fax 305-883-8549 Email sales@aquair.com

80996.GXD