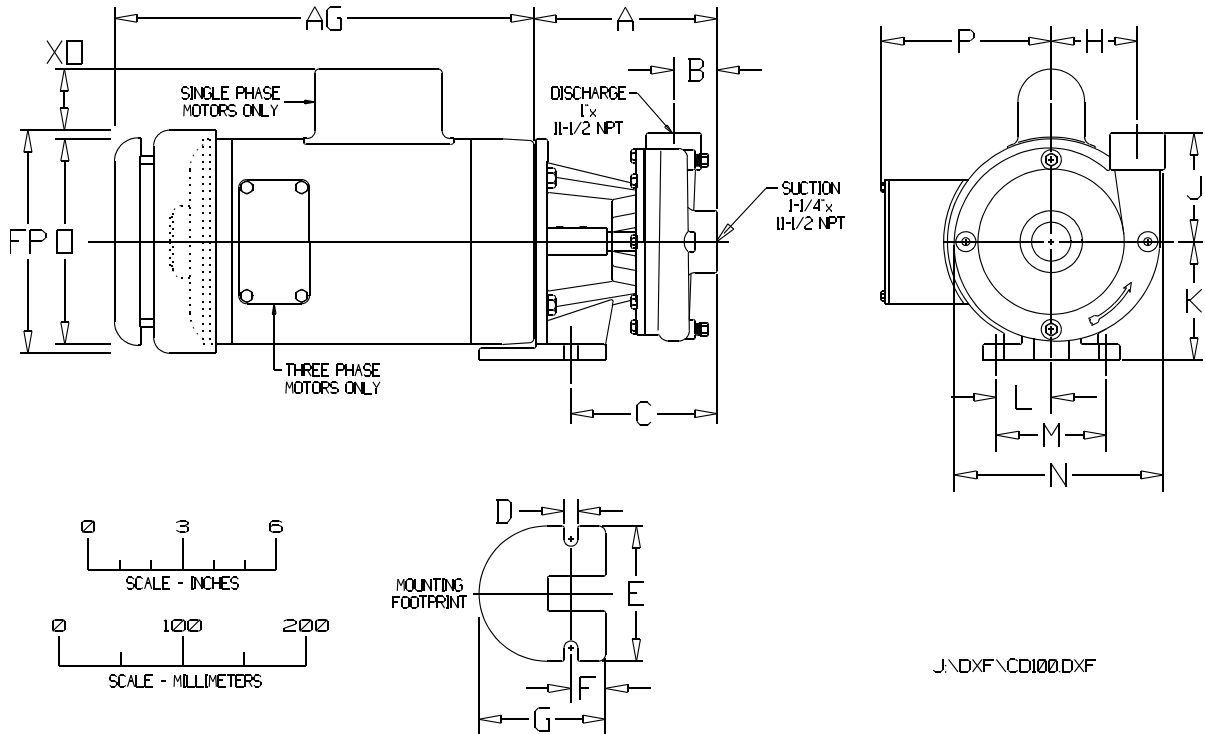


The CD100 Series Centrifugal Pump is available in bronze for seawater use, cast iron for chillwater use or stainless steel for special applications. Motors are available for all voltages, 50 and/or 60 Hertz, single or three phase. The standard motor style is ODP (Open Drip Proof). TEFC (Totally Enclosed, Fan Cooled) motors are available on special order. Flow rates up to 70 GPM and heads of 95' are available with this pump.



| A | B | C | D | E | F | G | H | J | K | L | M | N | P |
|-------|-------|-------|-------|-------|-------|-------|-------|-------|-------|-------|-------|-------|-------|
| 5.88" | 1.38" | 4.63" | 0.44" | 4.38" | 1.13" | 4.00" | 2.75" | 3.50" | 3.81" | 1.75" | 3.50" | 6.69" | 5.44" |
| 149mm | 35mm | 118mm | 11mm | 111mm | 29mm | 102mm | 70mm | 89mm | 97mm | 44mm | 89mm | 170mm | 138mm |

| MOTOR SIZES | | | | MOTOR END DIMENSIONS | | |
|-------------|------|-------|----------------|----------------------|---------------|--------------|
| HP | RPM | FRAME | AG | FP | O | XO |
| 1/4 | 1800 | 56C | 7.75" / 197mm | 6.13" / 156mm | 5.38" / 137mm | 2.06" / 52mm |
| 1/3 | 3600 | 56C | 8.50" / 216mm | | | |
| 1/2 | 3600 | 56C | 8.75" / 222mm | | | |
| 3/4 | 3600 | 56C | 9.25" / 235mm | | | |
| 1 | 3600 | 56C | 9.75" / 248mm | 7.19" / 183mm | 6.88" / 175mm | 2.25" / 57mm |
| 1-1/2 | 3600 | 56C | 10.50" / 267mm | | | |
| 2 | 3600 | 56C | 11.13" / 283mm | | | |

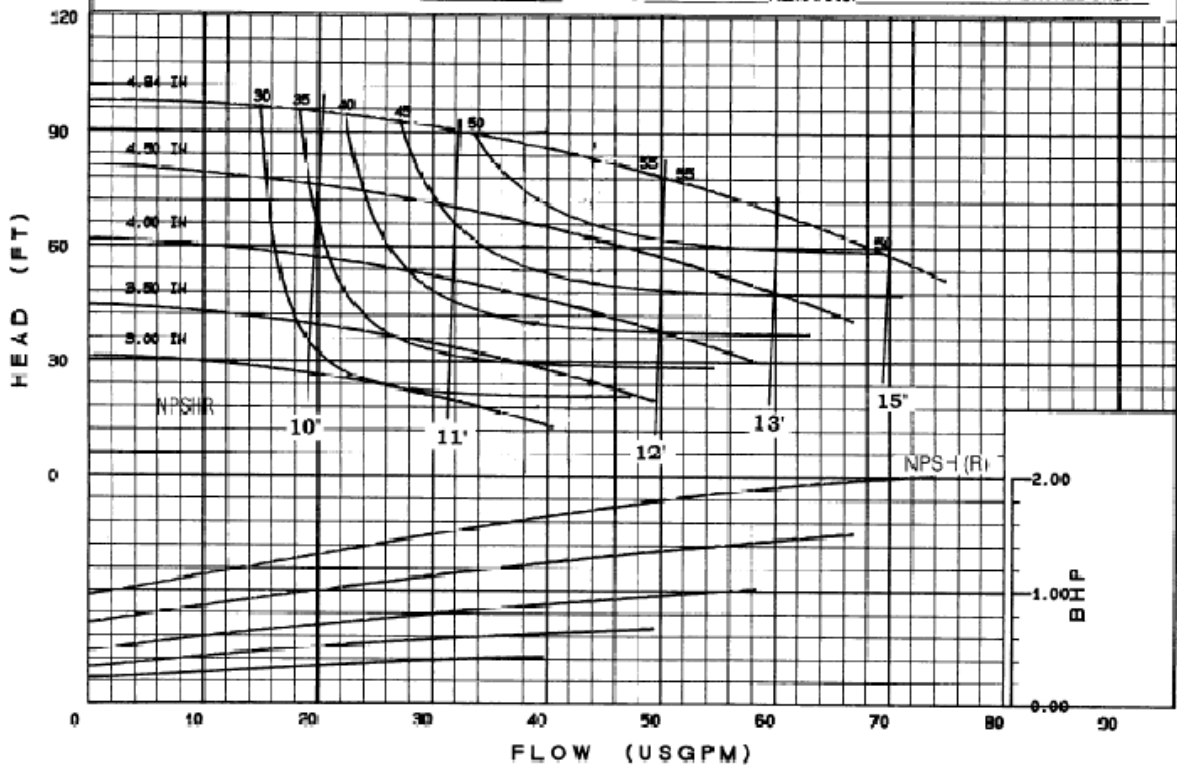
| CD100 SERIES PUMP MODEL NUMBER DESCRIPTION | | | | | |
|--|------|---|-------|---|---------------|
| ITEM | CODE | DESCRIPTION | CD100 | B | - 42 - 07 - C |
| PUMP HEAD MATERIAL | B | BRONZE | | | |
| | I | CAST IRON | | | |
| | S | STAINLESS STEEL | | | |
| IMPELLER SIZE | 30 | 3.00" DIAMETER | | | |
| | 36 | 3.63" DIAMETER | | | |
| | 40 | 4.00" DIAMETER | | | |
| | 42 | 4.25" DIAMETER | | | |
| | 45 | 4.50" DIAMETER | | | |
| | 49 | 4.94" DIAMETER | | | |
| PUMP MOTOR HORSEPOWER | 02 | 1/4 HP | | | |
| | 03 | 1/3 HP | | | |
| | 05 | 1/2 HP | | | |
| | 07 | 3/4 HP | | | |
| | 10 | 1 HP | | | |
| | 15 | 1-1/2 HP | | | |
| | 20 | 2 HP | | | |
| MOTOR TYPE | - | <u>O</u> pen <u>D</u> rip <u>P</u> roof | | | |
| | T | <u>T</u> otally <u>E</u> nclosed <u>F</u> an <u>C</u> ooled | | | |
| PUMP MOTOR POWER INPUT | C | 115-230 / 1 / 60 | | | |
| | K | 100-220 / 1 / 50 | | | |
| | F | 230-460 / 3 / 60 | | | |
| | J | 220-380 / 3 / 50 | | | |

The example above is a CD100 series pump, bronze head and impeller, 4.25" diameter impeller, 3/4 horsepower, 115-230 / 1 / 60 power input, ODP motor. Custom impeller diameters available upon request at an extra charge

| STANDARD PUMP MODEL NUMBERS | |
|--|-----------|
| NEW MODEL | OLD MODEL |
| CD100B-49-02 | E100-25B |
| CD100B-36-03 | E100-33B |
| CD100B-40-05 | E100-50B |
| CD100B-42-07 | E100-75B |
| CD100B-45-10 | E100-100B |
| CD100B-49-15 | E100-150B |
| ADD MOTOR VOLTAGE CODE TO THE END OF THE NEW NUMBER TO FORM A COMPLETE PUMP MODEL NUMBER | |

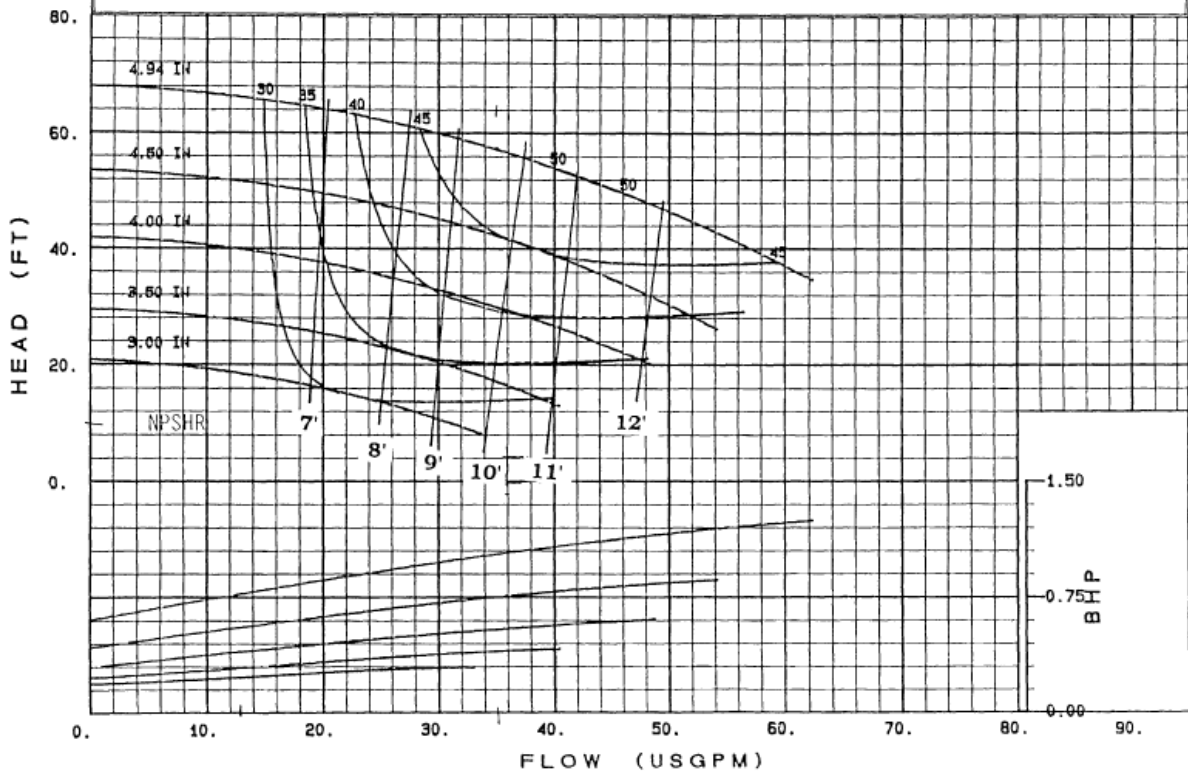
60 Hz

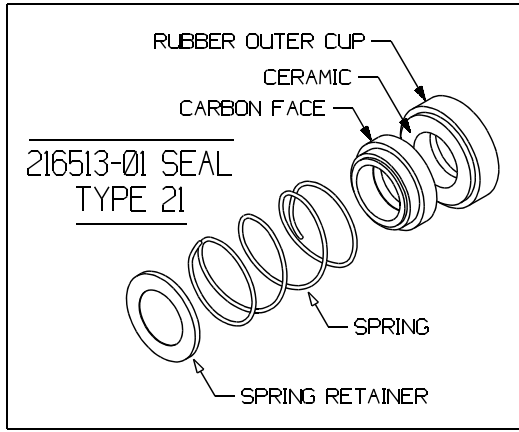
PRICE PUMP CO. CURVE NUMBER: **CD001-1** MODEL: **CD100 AI & AB** SIZE: **1x1-1/4x5** RPM: **3500**
 SONOMA, CALIFORNIA IMPELLER DIA: **VARIOUS** MIN. IMPELLER DIA: **3.00"** MAX. IMPELLER DIA: **4.94"** MAX. SOLIDS: **.15'**
 CUSTOMER: _____ CUSTOMER'S P.O.: _____
 Ph. (707) 938-8441 Fax (707) 938-0764 TEST DATE: **3/09/95** VERIFIED: **5/21/01** REMARKS: **MATERIALS: IRON & BRONZE ONLY**



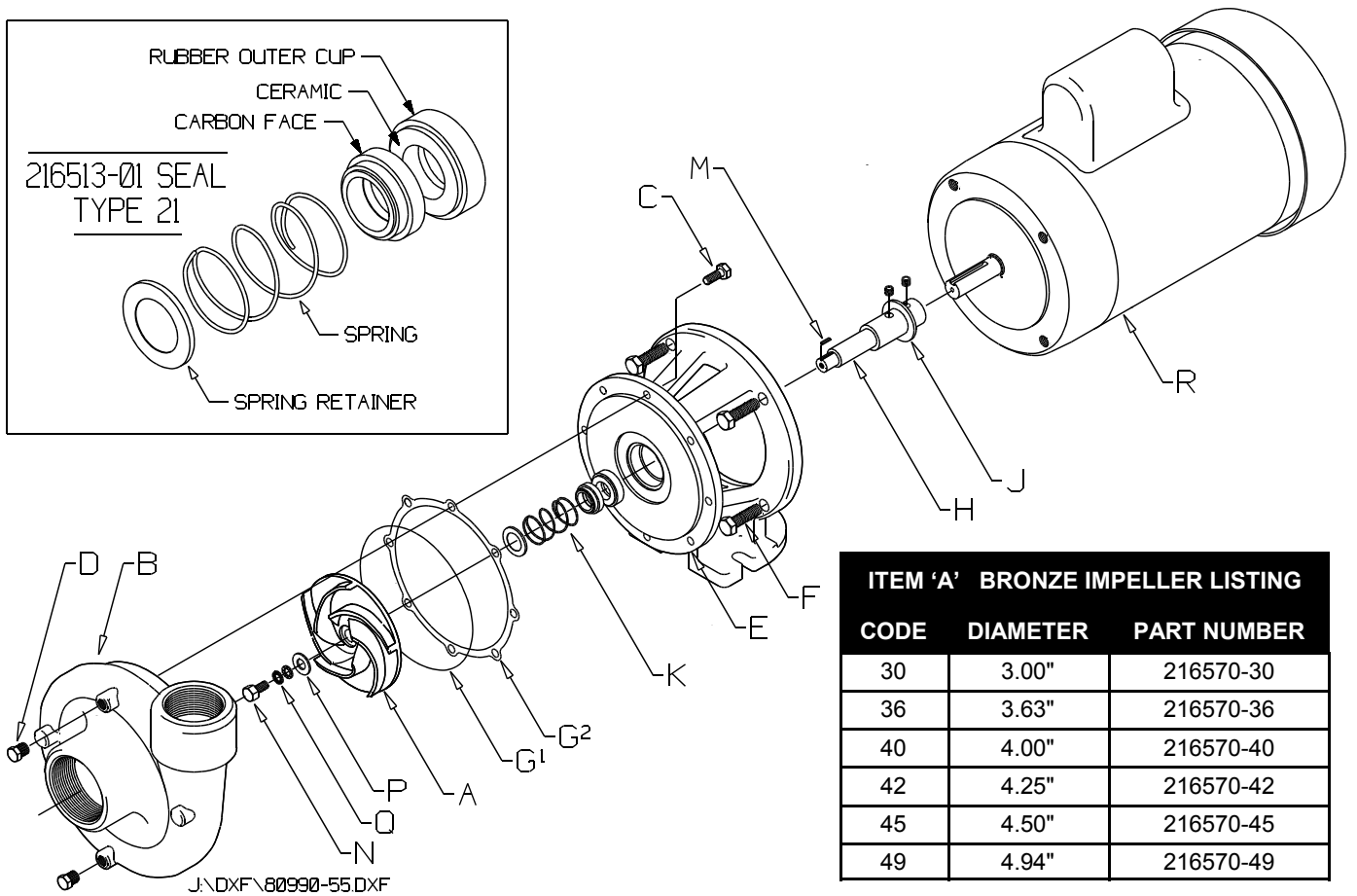
50 Hz

PRICE PUMP CO. CURVE NUMBER: **CD002** MODEL: **CD100 AI & AB** SIZE: **1X1-1/4X5** RPM: **2900**
 SONOMA, CALIFORNIA IMPELLER DIA: **VARIOUS** MIN. IMPELLER DIA: **3.00"** MAX. IMPELLER DIA: **4.94"** MAX. SOLIDS: _____
 CUSTOMER: **PPCO** CUSTOMER'S P.O.: _____
 Ph. (707) 938-8441 Fax (707) 938-0764 REMARKS: **03-09-95** MATERIALS: **IRON & BRONZE ONLY**





216513-01 SEAL
TYPE 21



J:\DXF\80990-55.DXF

| ITEM 'A' BRONZE IMPELLER LISTING | | |
|----------------------------------|----------|-------------|
| CODE | DIAMETER | PART NUMBER |
| 30 | 3.00" | 216570-30 |
| 36 | 3.63" | 216570-36 |
| 40 | 4.00" | 216570-40 |
| 42 | 4.25" | 216570-42 |
| 45 | 4.50" | 216570-45 |
| 49 | 4.94" | 216570-49 |

| PUMP PARTS LISTING | | |
|--------------------|-------------|------------------------|
| ITEM | PART NUMBER | DESCRIPTION |
| A | SEE CHART | IMPELLER, BRONZE |
| B | 216570-01 | VOLUTE, BRONZE |
| C | 216511-00 | VOLUTE BOLT (4) |
| D | 216540-00 | PIPE PLUG 1/8" NPT |
| E | 216570-04 | BRACKET, BRONZE |
| F | 216510-00 | MOTOR BOLT (4) |
| G1 | 216526-01 | O-RING |
| G2 | 216526-00 | GASKET |
| H | 216570-06 | SHAFT w/ SET SCREWS |
| J | 216570-07 | SLINGER |
| K | 216513-01 | SEAL, TYPE T21 |
| M | 216570-05 | IMPELLER KEY |
| N | 216570-02 | IMPELLER LOCKDOWN BOLT |
| P | 216570-03 | IMPELLER FLAT WASHER |
| Q | 216570-08 | IMPELLER LOCK WASHER |
| R | SEE CHART | PUMP MOTOR |

| ITEM 'R' MOTOR LISTING | | | |
|------------------------|------------------|------------------|---------------|
| HP | 115- 230/1/60 | 230- 460/3/60 | MOTOR TYPE |
| 1/4 | 212635-00 | 212636-00 | ODP |
| 1/3 | 212621-00 | 212637-00 | ODP |
| 1/2 | 212622-00 | 212631-00 | ODP |
| 3/4 | 212630-00 | 212632-00 | ODP |
| 1 | 212638-00 | 212639-00 | ODP |
| 1-1/2 | 212640-00 | 212641-00 | ODP |
| 2 | 212642-00 | 212643-00 | ODP |
| 1/4 | 212677-02 | 212678-02 | TEFC |
| 1/3 | 212677-03 | 212678-03 | TEFC |
| 1/2 | 212677-05 | 212678-05 | TEFC |
| 3/4 | 212677-07 | 212678-07 | TEFC |
| 1 | 212677-10 | 212678-10 | TEFC |
| 1-1/2 | 212677-15 | 212678-15 | TEFC |
| 2 | 212677-20 | 212678-20 | TEFC |

I:\WORDPFCT\80990-50.WPD

AQUA-AIR MANUFACTURING, division of the James D. Nall Co., Inc.
1050 East 9th Street, Hialeah, Florida 33010 U.S.A.
Ph. 305-884-8363 Fax 305-883-8549 email sales@aquair.com