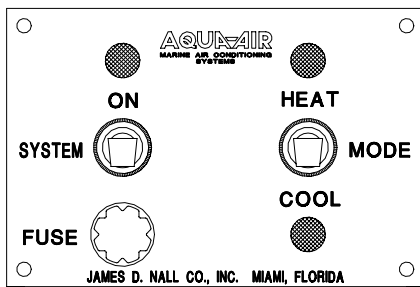




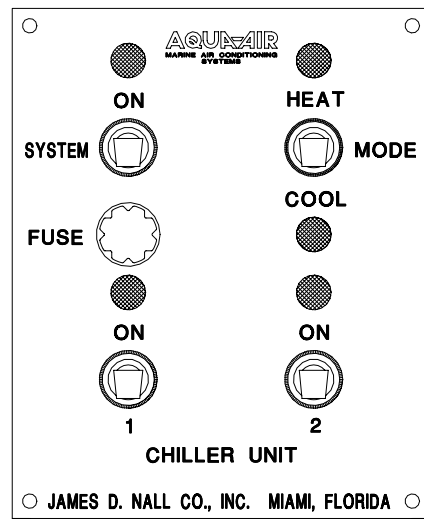
CHILLER CONTROL PANEL

AQCWP

The AQCWP Series Control Panels provide the capability of remote switch control for the Alpha Series chiller units. The AQCWP panel interfaces between the chillers, chillwater pump, flow switch and immersion heater (if used). Indicator lights on the front panel show the operating mode that the unit is in (cooling or heating) and the number of chiller units that are on. The AQCWP panel circuitry is protected by a 10 amp fuse. The panel is constructed of black phenolic material with white engraving. Special panels are available on a custom basis.



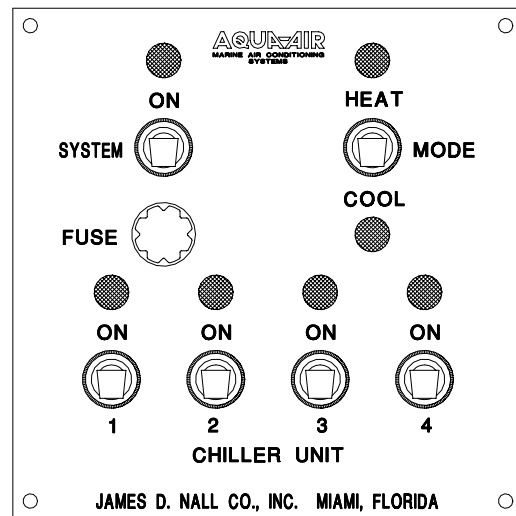
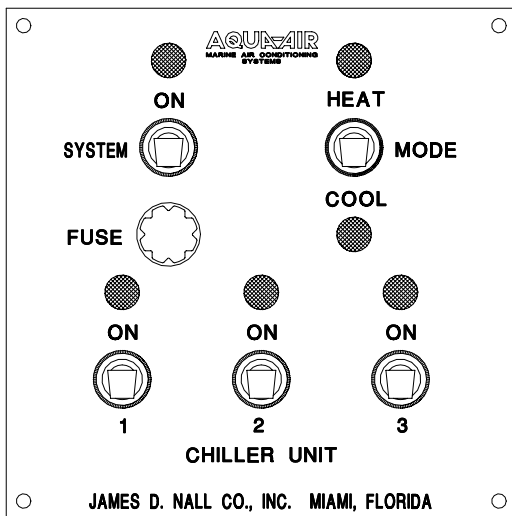
AQCWPH-01



AQCWPH-02

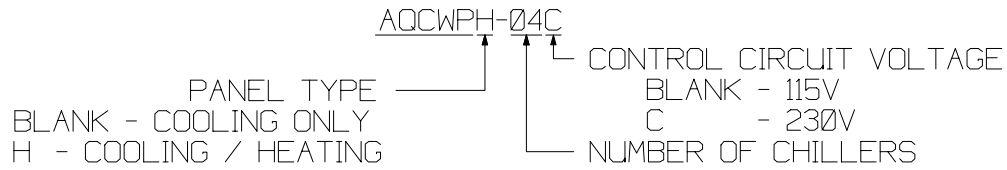
AQCWPH-03

AQCWPH-04



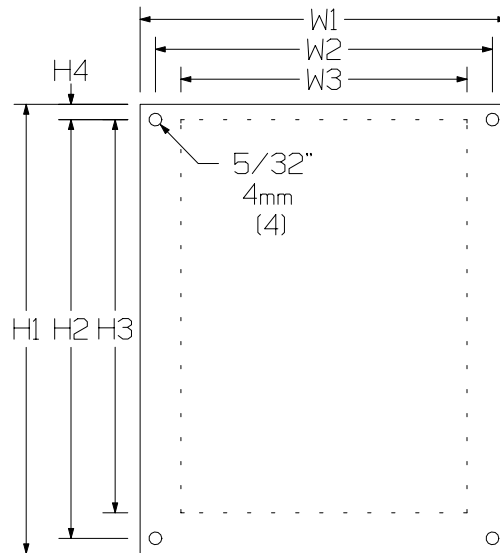
AQUA-AIR MANUFACTURING, division of JAMES D. NALL CO., INC
 1050 EAST 9th STREET HIALEAH, FLORIDA 33010 U.S.A.
 PH. 305-884-8363 FAX 305-883-8549

AQCWP CONTROL PANEL NOMENCLATURE



AQCWP CONTROL PANEL DIMENSIONS

PANEL \ DIMENSION	W1	W2	W3	H1	H2	H3	H4
AQCWP-01	4-1/2"	4-1/8"	3-1/2"	3"	2-5/8"	2-11/16"	13/16"
	114mm	105mm	89mm	76mm	67mm	68mm	5mm
AQCWP-02	4-1/2"	4-1/8"	3-1/2"	5-1/2"	5-1/8"	4-13/16"	13/16"
	114mm	105mm	89mm	140mm	130mm	122mm	5mm
AQCWP-03	5-1/2"	4-1/8"	3-1/2"	5-1/2"	5-1/8"	4-13/16"	13/16"
	140mm	105mm	89mm	140mm	130mm <td 122mm	5mm	
AQCWP-04	5-1/2"	4-1/8"	3-1/2"	5-1/2"	5-1/8"	4-13/16"	13/16"
	140mm	105mm	89mm	140mm	130mm	122mm	5mm



SAMPLE INTERNAL WIRING SCHEMATIC AQCWPH-02C

